

# esybox max



INDEX

1. GENERAL .....	38
1.1 Applications .....	38
1.2 Integrated electropump .....	38
1.3 Integrated Inverter.....	39
1.4 Integrated Expansion Vessel .....	39
1.5 Technical characteristics .....	39
2. PUMPABLE LIQUIDS .....	40
3. INSTALLATION.....	40
4. PROCEDURE FOR FIXING THE PUMP TO THE DOCK BASE .....	41
5. HYDRAULIC CONNECTIONS .....	43
5.1 Loading Operation – Installation above head and below head.....	43
5.2 Maximum pressure at intake (pump below head) .....	44
5.3 Systems in booster mode.....	44
6. COMMISSIONING .....	45
6.1 Electrical Connections.....	45
6.2 Configuration of the Integrated Inverter .....	45
6.3 Priming .....	45
7. THE KEYPAD AND THE DISPLAY .....	46
7.1 Direct access with a combination of keys .....	47
7.2 Access by name with a drop-down menu .....	48
7.3 Structure of the menu pages.....	49
7.4 Blocking parameter setting by Password.....	50
7.5 Enabling and disabling the motor .....	50
8. MEANING OF THE INDIVIDUAL PARAMETERS .....	50
8.1 User Menu .....	50
8.2 Monitor Menu.....	52
8.3 Setpoint Menu.....	52
8.4 Manual Menu.....	53
8.5 Installer Menu .....	53
8.6 Technical Assistance Menu .....	55
9. RESET AND FACTORY SETTINGS.....	58
9.1 General system reset.....	58
9.2 Factory settings.....	58
9.3 Restoring the factory settings .....	58
10. PROTECTION SYSTEMS .....	59
10.1 Description of blockages.....	60
10.2 Manual reset of error conditions .....	61
10.3 Self-reset of error conditions .....	61
11. PARTICULAR INSTALLATIONS.....	61
11.1 Multiple Sets .....	61
12. APP, DCONNECT CLOUD AND SOFTWARE UPDATE .....	64
12.1 System requirements.....	64
12.2 Updating the software.....	64
12.3 DSYNC.....	67
13. MAINTENANCE .....	68
13.1 Accessory tool.....	68
13.2 Emptying the system .....	68
13.3 Non-return valve.....	68
13.4 Motor shaft.....	68
13.5 Expansion Vessel.....	69
14. TROUBLESHOOTING .....	70

**KEY**

The following symbols have been used in the discussion:



**SITUATION OF GENERAL DANGER.**

Failure to respect the instructions that follow may cause harm to persons and property.



**SITUATION OF ELECTRIC SHOCK HAZARD.**

Failure to respect the instructions that follow may cause a situation of grave risk for personal safety.



**Notes and general information.**

**1. GENERAL**

The product is an integrated system composed of a vertical multi-stage centrifugal electric pump, an electronic circuit that controls it and an expansion vessel. The pump also has WiFi and Bluetooth connection systems for remote control via DConnect Cloud and for a better user experience with mobile devices via the dedicated app, see chapter 12. The APP and DConnect Cloud also allow the use of additional features not present directly on the display (e.g. energy and flow meters).

**1.1 Applications**

Indicated for booster sets for water systems of small, medium and large users. They can be used in the most varied fields, such as:

- Washing systems
- Supply of drinking water and autoclave supplies
- Boiler supply
- Irrigation systems
- Circulation systems and industrial processes
- Other pressure boosting systems

Another important feature of this pump is the possibility to operate in booster mode with a maximum intake pressure of 5.0 bar.

**1.2 Integrated electropump**

The system has a built-in centrifugal electropump of the multi-impeller type driven by a water-cooled three-phase electric motor. Cooling of the motor with water rather than air ensures less noise in the system and the possibility of locating it even in recesses without ventilation.

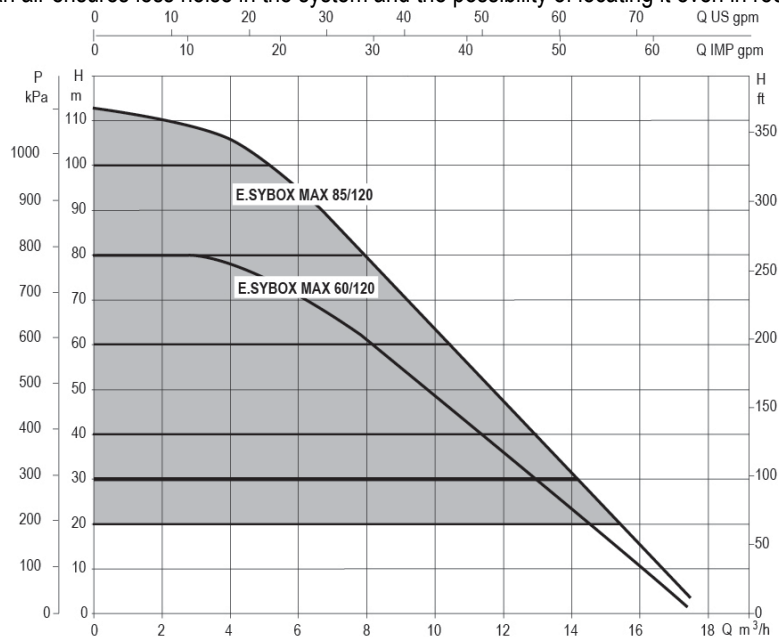


Figure 1

### 1.3 Integrated Inverter

The electronic control integrated in the system is of the type with inverter and it makes use of two pressure and temperature sensors (one on intake and one on delivery).

By means of these sensors the system switches on and off automatically according to the user's needs, keeping a constant delivery pressure.

The system is configured by the manufacturer to satisfy the majority of installation cases, that is:

- Operation at constant pressure;
- Set-Point (desired value of constant pressure): SP = 3.0 bar
- Reduction of pressure to restart: RP = 0.3 bar
- Anti-cycling function: Disabled

Chapters 8-9-10 show all the parameters that can be set: pressure, intervention of protections, rotation speed, etc.

### 1.4 Integrated Expansion Vessel

The system is complete with an integrated expansion vessel with a total capacity of 2 litres.

It is not a function of the integrated expansion vessel to ensure a water reserve such as to reduce interventions of the system (requests from the utility, not from a leak in the system). It is possible to add an expansion vessel with the capacity you prefer to the system, connecting it to a point on the delivery system (not a suction point!).

The expansion vessel is preloaded according to the following ratio:

Pair = SP - RP - 0.2 bar

Where:

- Pair = air pressure value in bar
- SP = Set Point (7.3) in bar
- RP = Reduction of pressure to restart (7.5.1) in bar

So, by the manufacturer: Pair = 3 - 0.2 - 0.3 = 2.5

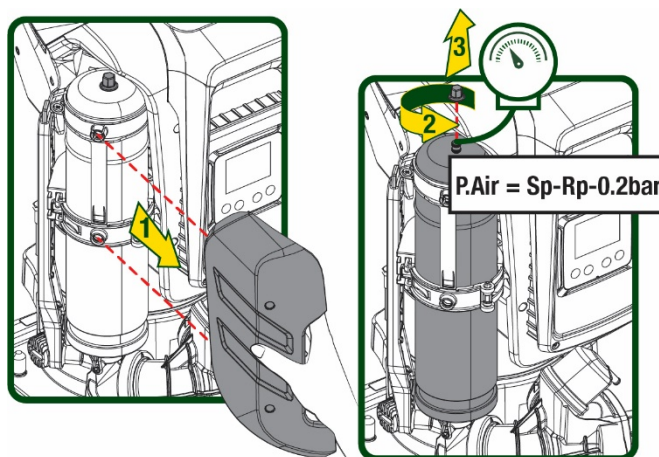


Figure 2

If different values are set for the parameters SP and/or RP, regulate the valve of the expansion vessel releasing or letting in air until the above equation is satisfied again.

### 1.5 Technical characteristics

Text	Parameter		ESYBOX MAX 60/120M	ESYBOX MAX 60/120T	ESYBOX MAX 85/120T
ELECTRIC POWER SUPPLY	Voltage		208-240	380/480	380/480
	Phases		1	3	3
	Frequency		50/60		
	Maximum current		11,8 A	4,2 A	5,5 A
	Maximum power		2,68 KW	2,65 KW	3,5 KW
	Leakage current to earth		<2 mA	<4 mA	<4 mA
CONSTRUCTION CHARACTERISTICS	Overall dimensions		766x375x384		
	Empty weight (excluding packaging)	PUMP	29	29	30
		ESYDOCK		9	
		2 ESYDOCK		18	
		3 ESYDOCK		27	
	Protection class		IPX5		
Motor insulation class		F			
HYDRAULIC PERFORMANCE	Maximum head		7,7bar	7,7bar	10bar
	Maximum pressure at intake		5 bar		
	Maximum working pressure (PN)		12 bar		
	Maximum flow rate		300 l/min		

WORKING CONDITIONS	Max liquid temperature		50°C
	Max environment temperature		55°C
	Storage environment temperature		-10÷60 °C
FUNCTIONALITY AND PROTECTIONS	Constant pressure		
	Wireless communication		
	WiFi and Bluetooth communication (APP and DConnect Cloud)		
	Protection against dry running		
	Antifreeze protection		
	Anticycling protection		
	Motor overload protection		
	Protection against abnormal supply voltages		
Protection against excess temperature			

Table 1

## 2. PUMPABLE LIQUIDS



The machine has been designed and made for pumping water, free from explosive substances and solid particles or fibres, with a density of 1000 Kg/m<sup>3</sup>, a kinematic viscosity of 1mm<sup>2</sup>/s and non chemically aggressive liquids.



The system cannot be used to pump salt water, sewage, inflammable, corrosive or explosive liquids (e.g. petroleum, petrol, thinners), greases, oils or food products.



The system is suitable for treating drinking water.

## 3. INSTALLATION



The pumps may contain small quantities of residual water from testing



The electric pump has degree of protection IPX5 and can be installed in dusty environments without special weather protection measures.



The system is designed to be able to work in environments where the temperature remains between 0°C and 55°C (on condition that the electric power supply is ensured: see par. 8.6.14 “anti-freeze function”).



If the system is used for the domestic water supply, respect the local regulations of the authorities responsible for the management of water resources.



When choosing the installation site, check that:

- The voltage and frequency on the pump’s technical data plate correspond to the values of the power supply system.
- The electrical connection is made in a dry place, far from any possible flooding.
- The electrical system is provided with a differential switch with  $I \Delta n \leq 30 \text{ mA}$  and that the earth system is efficient.



The pump must be installed in vertical position.



The pump is not self-priming. It is suitable for suction from tanks or connected to the mains in booster mode where it is possible according to local regulations.

#### 4. PROCEDURE FOR FIXING THE PUMP TO THE ESYDOCK BASE

1. Use the possibility of adjusting the height of the feet to compensate for any unevenness in the support surface.

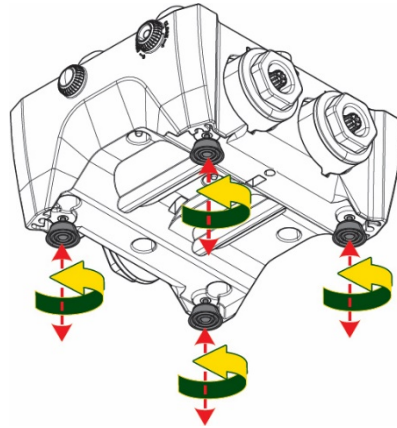


Figure 3

2. To fix the pump to the ground, use the slots on the base.

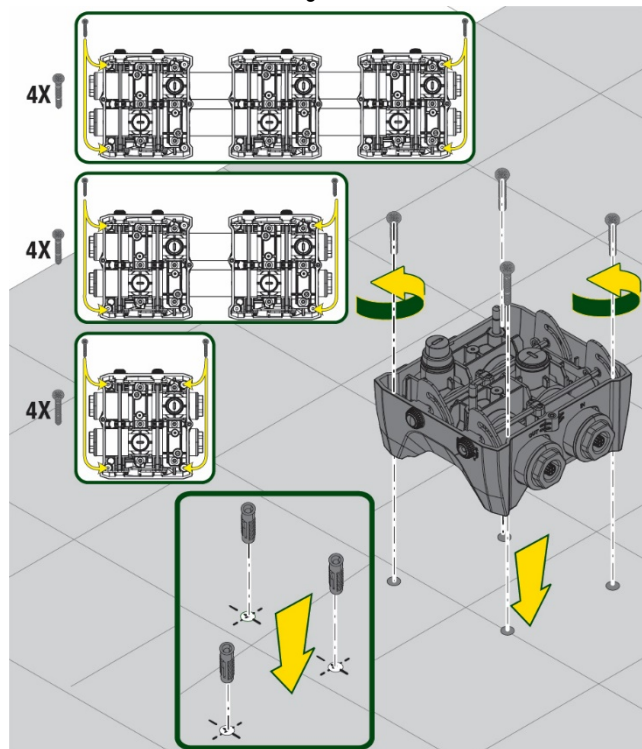


Figure 4

ENGLISH

3. Open the caps with the appropriate key provided and store them in the technical compartment.  
With the grease provided, lubricate the O-Ring seals on the delivery and suction manifolds.  
Lower the pump onto the Esysdock base, centring the fixing pins.

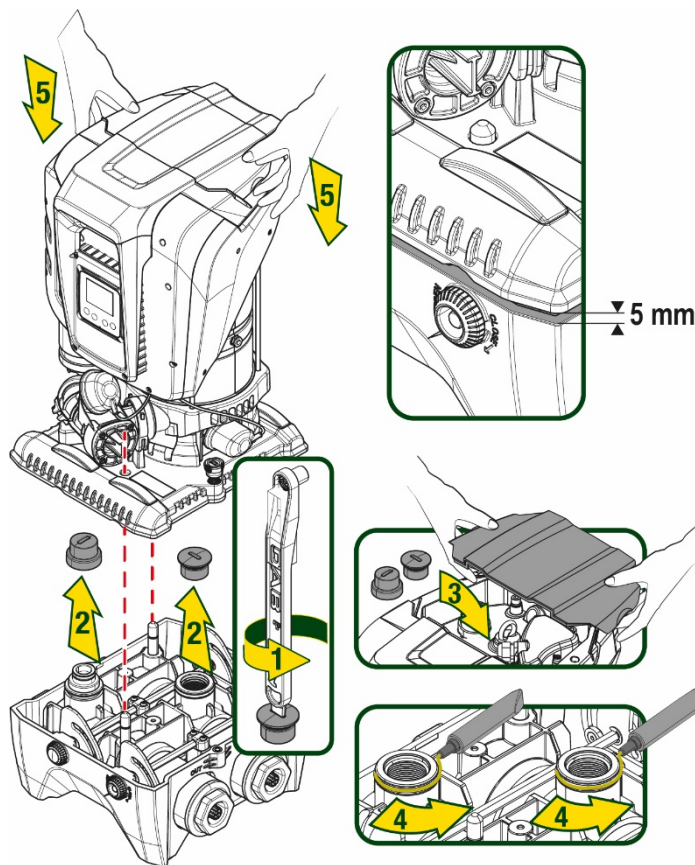


Figure 5

4. Fix the pump to the dock base with the wrench supplied. To ensure that it is properly fixed, check that the green ring of the centring pins is visible.  
After use, put the key away on the pump hooks. If the wrench gets lost or broken, it can be easily replaced with a 10mm (13/32 inch) socket wrench).

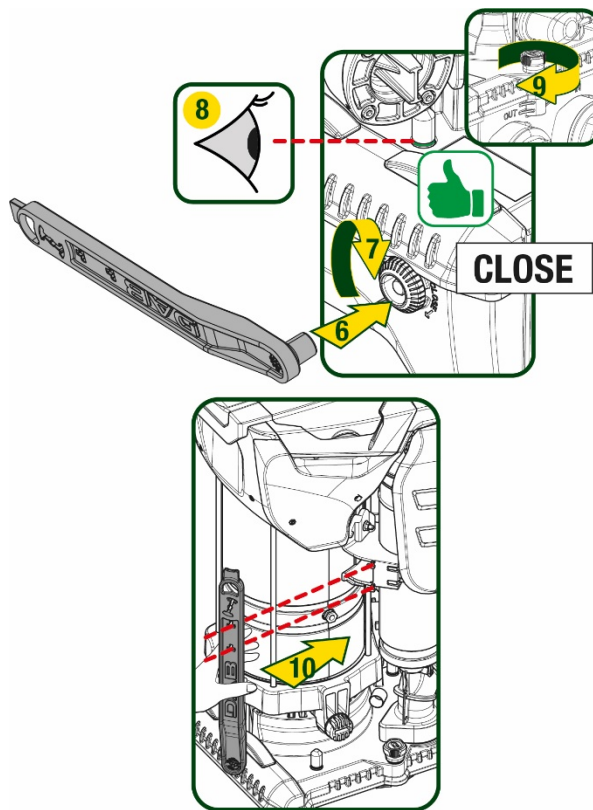


Figure 6

## 5. HYDRAULIC CONNECTIONS

The connections to the hydraulic system are all 2" female, with the possibility to be reduced to 1 1/4" female with adapters supplied only for the single dock.

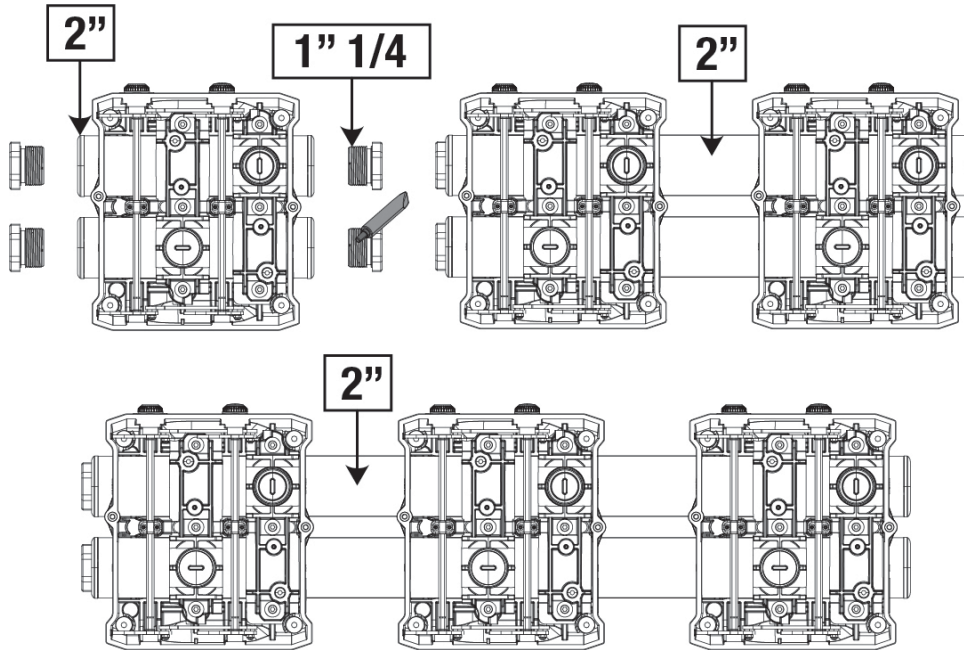


Figure 7

Four configurations are possible, as shown in figure 8.

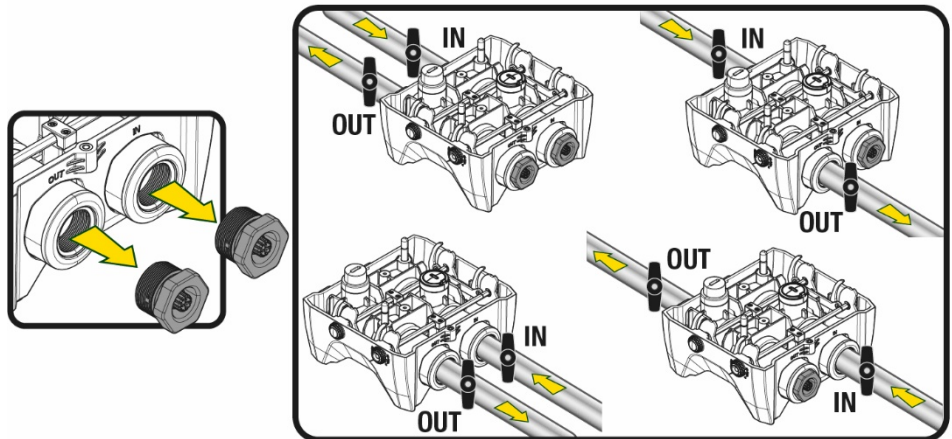


Figure 8



If the installation of the system is of the “above head” type, it is recommended to provide a non-return valve as foot valve (at the beginning of the suction pipe); this will allow the system loading operation so as to fill the whole pipe before switching on the pump (par. 5.1)



If the installation is of the “over head” type, install the suction pipe from the water source to the pump in such a way as to avoid the formation of goosenecks or siphons.



The suction and delivery pipes must be fitted so that they do not exert any mechanical pressure on the pump.

### 5.1 Loading Operation – Installation above head and below head

Installation “above head” (Fig 9A): access the technical compartment and, with the aid of the accessory tool or with a screwdriver, remove the filling cap. Fill the system with clean water through the loading door, taking care to let the air out.



## ENGLISH

Installation “below head” (Fig 9B): if there are no check valves between the water deposit and the system (or if they are open), it loads automatically as soon as it is allowed to let out the trapped air. So slackening the filling cap enough to vent the trapped air (2.5 turns) allows the system to load completely.

Tighten the cap again when the operation is complete.

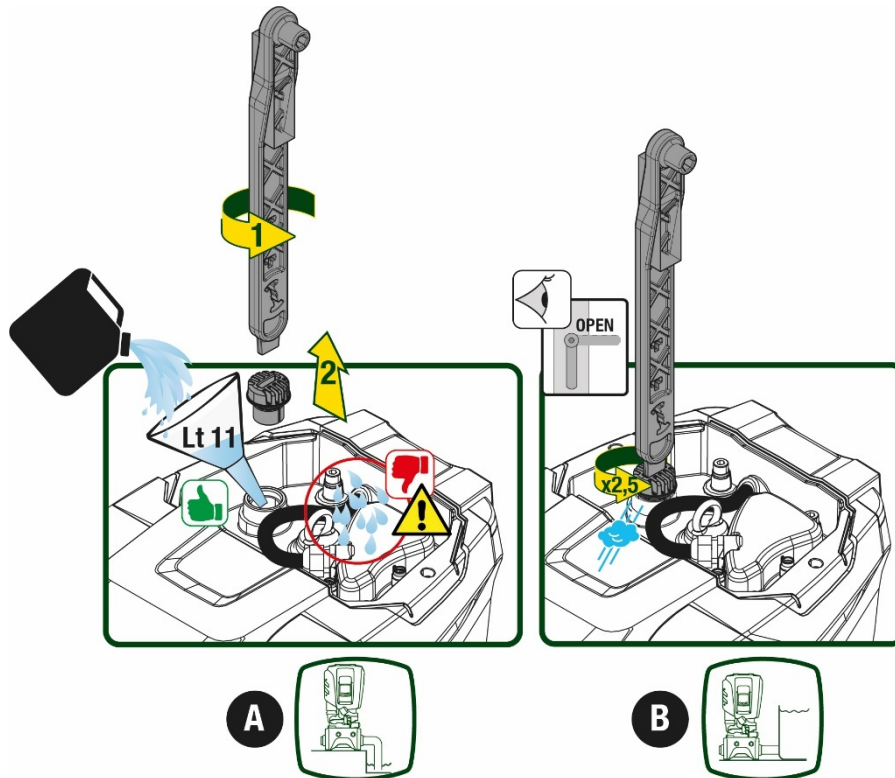


Figure 9



Dry up any water residue in the technical compartment.

### 5.2 Maximum pressure at intake (pump below head)

It is important that the intake pressure is always lower than the maximum working pressure allowed by the pump as indicated in the table.

### 5.3 Systems in booster mode

Each pump, depending on the model, is characterised by a maximum achievable Setpoint pressure (without the suction being pressurised). The user is allowed to set any setpoint pressure (SP) from 1.0 bar up to the maximum pressure PN, thus reaching pressure values higher than the maximum pressure that can be achieved by the pump in order to allow use in booster mode.

Operation is as follows:

- If the set pressure SP is lower than the maximum pressure achievable by the pump, the system will adjust to the set pressure;
- If, on the other hand, the set pressure is greater than that achievable by the pump, the set point will be reached only if there is pressure at intake.

Based on the setpoint set and the pressure read at intake, the pump understands whether it will achieve the desired setpoint.

If the setpoint set cannot be reached due to the reduced intake pressure, the pump will still continue to deliver water at the pressure it is able to achieve and will show the flashing pressure gauge symbol on the main page.

## 6. COMMISSIONING

### 6.1 Electrical Connections

To improve immunity to the possible noise radiated towards other appliances it is recommended to use a separate electrical duct to supply the product.



The line voltage may change when the electropump is started. The line voltage may undergo variations depending on other devices connected to it and on the quality of the line.



**Make sure that the mains voltage is the same as that on the motor data plate.**



Strictly observe the wiring diagrams below:

- L-N-Earth, single-phase version
- U-V-W-Earth, three-phase version

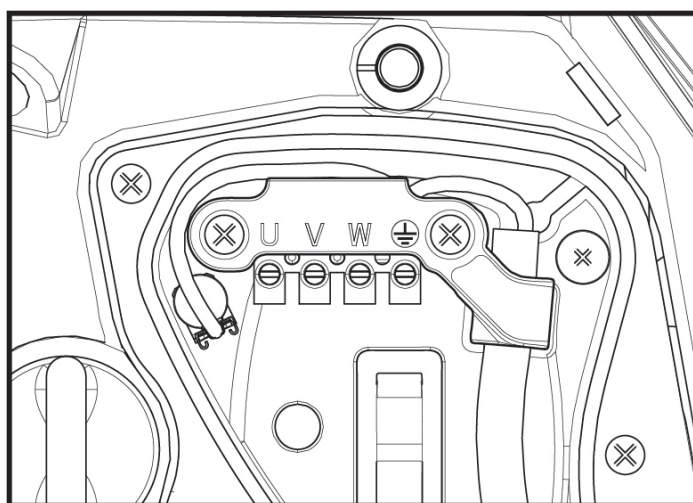


Figure 10

The appliance must be connected to a main switch that cuts off all the power supply poles. When the switch is in off position, the distance separating each contact must respect the indications in table 2.

The cable gland, supplied with the terminal box, binds the outer diameter of the cable sheath in a range between 7 and 13mm. The mammoth terminal block can accommodate cables with a lead cross-section up to 2.5mm<sup>2</sup> (AWG14 for USA versions).

Minimum distance between the contacts of the power switch	
Minimum distance [mm]	>3

Table 2

### 6.2 Configuration of the Integrated Inverter

The system is configured by the manufacturer to satisfy the majority of installation cases, that is:

- operation at constant pressure;
- Set-Point (desired value of constant pressure): SP = 3.0 bar
- Reduction of pressure to restart: RP = 0.3 bar
- Anti-cycling function: Disabled

However, all these parameters can be set by the user (see the chapter Settable parameters)

The system does not work if the utility is at a height higher than the equivalent in metres of water column of the Pstart (consider 1 bar = 10 m. water column): for the default configuration, if the utility is at a height of at least 27m the system does not start.

### 6.3 Priming

For the first start-up, follow the steps below:

- Make the hydraulic and electrical connections (without supplying power)
- Fill the pump (par 5.1)
- Open a utility on delivery
- Provide electric power supply
- Connect to the pump via App to carry out assisted configuration

The system starts and checks the presence of water in delivery. If a regular flow of water is detected, the pump is primed and starts its pressure boosting work.

*Operation*

Once the electropump is primed, the system starts regular operation according to the configured parameters: it starts automatically when the tap is turned on, supplies water at the set pressure (SP), keeps the pressure constant even when other taps are turned on, stops automatically after time T2 once the switching off conditions are reached (T2 can be set by the user, factory value 10 sec).

**7. THE KEYPAD AND THE DISPLAY**

The user interface is composed of a keypad with 2.8" display and with POWER, COMM, ALARM warning leds as can be seen in Figure 11.

The display shows the values and the statuses of the device, with indications on the functionality of the various parameters.

The functions of the keys are summed up in Table 3.

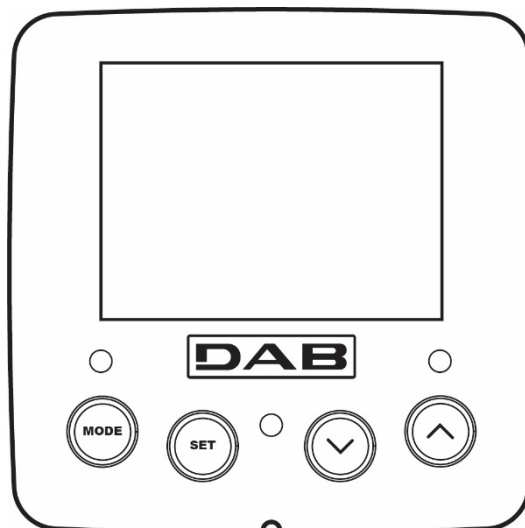


Figure 11

	The MODE key allows you to move on to the next items in the same menu. Holding it down for at least 1 sec allows you to skip to previous menu item.
	The SET key allows you to leave the current menu.
	Decreases the current parameter (if it is an editable parameter).
	Increases the current parameter (if it is an editable parameter).
WHITE LED POWER	On with a fixed light: the machine is powered Flashing: the machine is disabled
RED LED ALLARM	On with a fixed light: the machine is blocked by an error
BLUE LED COMMUNICATION	On with a fixed light: active wireless communication Slow flashing: wireless communication not available due to problems Fast flashing: association with other wireless devices in progress

Table 3

Holding down the “^” key or the “v” key allows the automatic increase/decrease of the parameter selected. After the “^” key or the “v” key has been held down for 3 seconds, the automatic increase/decrease speed increases.



When the ^ key or the v key is pressed the selected value is modified and saved immediately in the permanent memory (EEPROM). If the machine is switched off, even accidentally, in this phase it does not cause the loss of the parameter that has just been set.

ENGLISH

The SET key is only for leaving the current menu and is not necessary for saving the changes made. Only in particular cases described in chapter 0 are some values updated by pressing "SET" or "MODE".

Menus

The complete structure of all the menus and of all the items of which they are composed is shown in Table 5.

Access to the menus

The various menus can be accessed from the main menu in two ways:

1. Direct access with a combination of keys
2. Access by name with a drop-down menu

7.1 Direct access with a combination of keys

The desired menu can be accessed directly by pressing simultaneously the appropriate combination of keys for the required time (for example MODE SET to enter the Setpoint menu) and the various items in the menu are scrolled with the MODE key.

Table 4 shows the menus that can be reached with the combinations of keys.


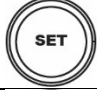



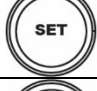


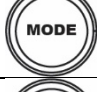
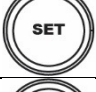

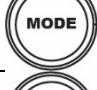
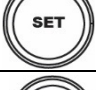

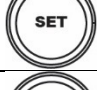
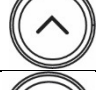




MENU NAME	DIRECT ACCESS KEYS	HOLD-DOWN TIME
User		On releasing the button
Monitor	 	2 Sec
Setpoint	 	2 Sec
Manual	  	5 Sec
Installer	  	5 Sec
Technical assistance	  	5 Sec
Reset factory values	 	2 sec after switching on appliance
Reset	   	2 Sec

Table 4

Reduced menu (visible)			Extended menu (direct access or password)			
Main Menu	User Menu mode	Monitor Menu set-minus	Setpoint Menu mode-set	Manual Menu set-minus-plus	Installer Menu mode-set-minus	Tech. Assist. Menu mode-set-plus
MAIN (Main Page)	<b>STATUS</b>	<b>BK</b> Back lighting	<b>SP</b> Setpoint pressure	<b>STATUS</b>	<b>RP</b> Decrease pressure for restart	<b>TB</b> Block time for water lack
Menu Selection	<b>RS</b> Revs per minute	<b>TK</b> Backlighting switch-on time		<b>RI</b> Speed setting	<b>OD</b> Type of plant	<b>T1</b> Low pressure delay
	<b>VP</b> Pressure	<b>LA</b> Language		<b>VP</b> Pressure	<b>AD</b> Address Configuration	<b>T2</b> Delay in switching off
	<b>VF</b> Display of flow	<b>TE</b> Heat sink temperature		<b>VF</b> Display of flow	<b>MS</b> Measuring system	<b>GP</b> Proportional gain
	<b>PO</b> Power absorbed by pump	<b>BT</b> Card temperature		<b>PO</b> Power delivered to the pump	<b>AS</b> Wireless devices	<b>GI</b> Integral gain

ENGLISH

	<b>C1</b> Pump phase current			<b>C1</b> Pump phase current	<b>PR</b> Remote pressure sensor	<b>RM</b> Maximum speed
	<b>TE</b> Heat sink temperature			<b>RS</b> Revs per minute	<b>EK</b> Low pressure function on suction	<b>NA</b> Active devices
	<b>Pin</b> Pressure at intake			<b>TE</b> Heat sink temperature	<b>PK</b> Low pressure threshold on suction	<b>NC</b> Max. simultaneous devices
	Hours switched on Working hours Number of starts				<b>RT</b> Direction of rotation	<b>IC</b> Device configuration
	<b>PI</b> Power histogram					<b>ET</b> Max. switching time
	Multi-pump system					<b>AY</b> AntiCycling
	<b>NT</b> Mains information					<b>AE</b> Anti-blocking
	<b>VE</b> HW and SW Information					<b>AF</b> AntiFreeze
						<b>RF</b> Reset faults and warnings
						<b>PW</b> Modify Password
Key						
Identifying colours				Modification of parameters in multi-pump assemblies		
				Set of sensitive parameters. The modification of one of these on any device results in automatic alignment on all the other devices.		
				Parameters that automatically align in all devices. It is tolerated that they may be different from one device to another.		
				Setting parameters that are significant only locally.		
				Read-only parameters.		

Table 5

### 7.2 Access by name with a drop-down menu

The selection of the various menus is accessed by name. From the main menu you access menu selection by pressing either of the ^ or v keys.

Once positioned on the desired menu, it can be accessed by pressing MODE.

The available MENU items are: MAIN, USER, MONITOR and EXTENDED.

To access the Extended Menu, the access key is required, which coincides with the key combination shown in Table 4.

The order of the menus is: User, Monitor, Setpoint, Manual, Installer, Technical Assistance.

Unlocked menus remain available for 15 minutes or until they are manually disabled through "Hide advanced menus".

Figure 13 shows an operating diagram for selecting the menus.

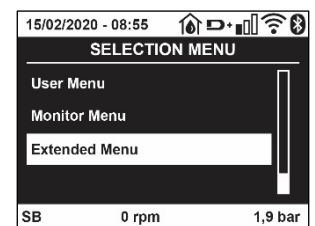


Figure 12

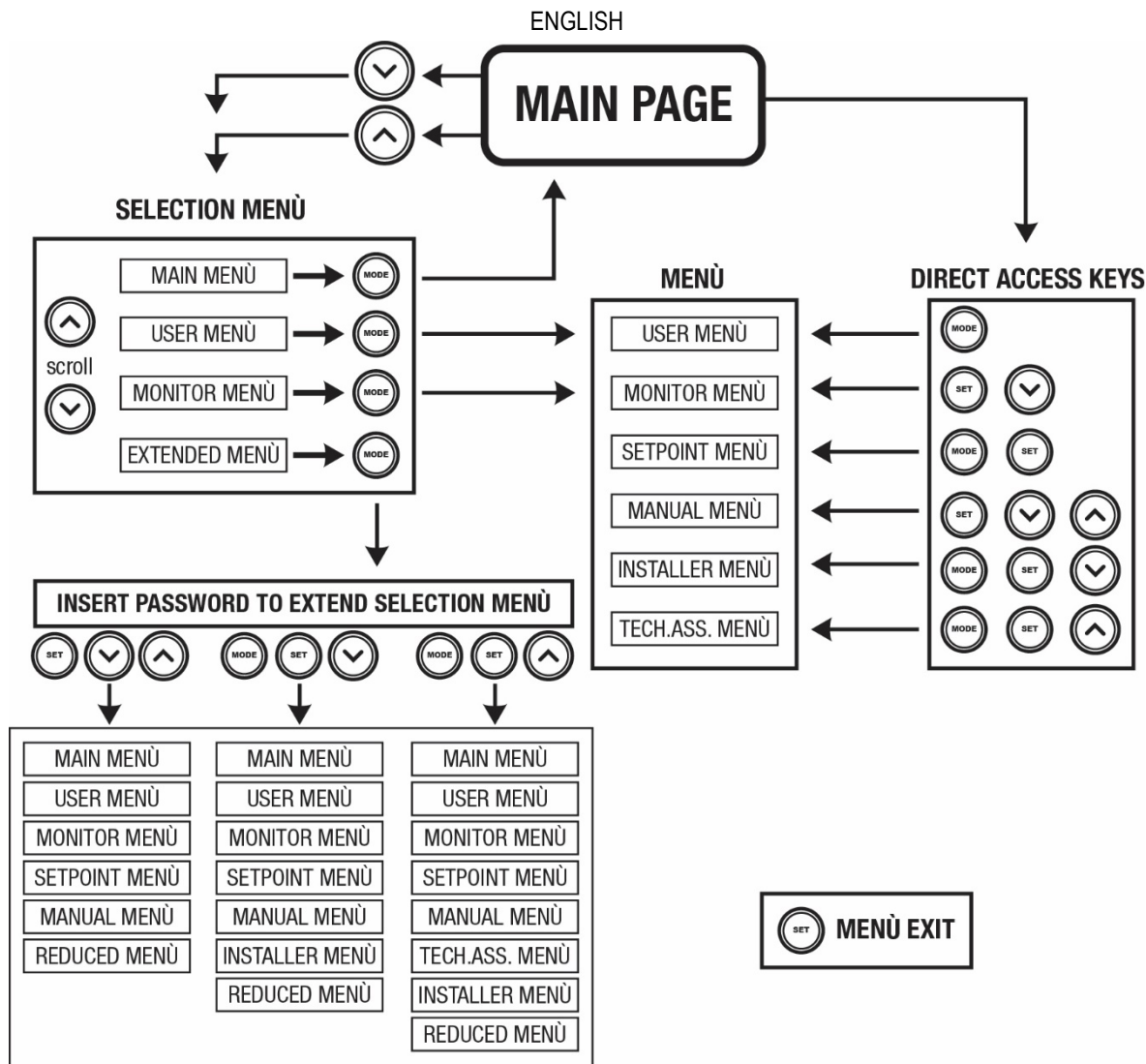


Figure13 Diagram of possible menu accesses

### 7.3 Structure of the menu pages

The following always appear on the main page

Status: operating status (e.g. standby, go, Fault, input functions)

Revs per minute: value in [rpm]

Pressure: value in [bar] or [psi] depending on the set unit of measure.

Power: value in [kW] of the power absorbed by the device.

WiFi and Bluetooth status/power through corresponding icons

Connection between telephone and available pump indicated by house symbol with drop

If the case occurs the following may appear:

Fault indications

Warning indications

Indications of the functions associated with the inputs

Specific icons

The error conditions are shown in Table 6, see chapter 10 PROTECTION SYSTEMS.

Error or status conditions shown on the main page	
Identifying code	Description
GO	Motor running
SB	Motor stopped
DIS	Motor status manually disabled
F1	Float function status / alarm

F3	System disable function status / alarm
F4	Low pressure signal function status / alarm
P1	Operating status with auxiliary setpoint 1
P2	Operating status with auxiliary setpoint 2
P3	Operating status with auxiliary setpoint 3
P4	Operating status with auxiliary setpoint 4
Com. icon with number	Operating status in multi-pump communication with the address indicated
Com. icon with E	Error status of communication in the multi-pump system
EE	Writing and reading the factory settings on EEPROM
WARN. Low voltage	Warning due to lack of supply voltage

Table 6 Status and error messages on the main page

The other menu pages vary with the associated functions and are described later by type of indication or setting. In any menu at the bottom of the page there is a status bar with the main operating parameters (status, speed and pressure).

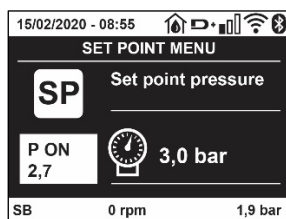


Figure 14 Menu parameter

Indications on the status bar at the bottom of each page	
Identifying code	Description
GO	Motor running
SB	Motor stopped
Disabled	Motor status manually disabled
rpm	Motor revs per minute
bar	Plant pressure
FAULT	Presence of an error preventing operation of the electropump

Table 7 Indications on the status bar

### 7.4 Blocking parameter setting by Password

The device has a password-enabled protection system. If a password is set, the parameters of the device will be accessible and visible but it will not be possible to change them. The password management system is in the “technical assistance” menu and is managed by means of the parameter PW.

### 7.5 Enabling and disabling the motor

In normal operating conditions, pressing and then releasing both the “^” and “v” keys causes the blocking/release of the motor (self-holding even after switching off). If there is a fault alarm, the operation described above resets the alarm.

When the motor is disabled this status is shown by the blinking white LED.

This command can be activated from any menu page except RF and PW.

## 8. MEANING OF THE INDIVIDUAL PARAMETERS

### 8.1 User Menu

From the main menu, pressing the MODE key (or using the selection menu and pressing ^ or v), gives access to the USER MENU. In the menu the MODE key allows you to scroll through the various menu pages. The values shown are the following.

#### 8.1.1 Status

Displays the pump status.

**8.1.2 RS: Rotation speed display**

Motor rotation speed in rpm.

**8.1.3 VP: Pressure display**

Plant pressure measured in [bar] or [psi] depending on the measuring system used.

**8.1.4 VF: Flow display**

Displays the instantaneous flow in [litre/min] or [gal/min] depending on the set measuring system.

**8.1.5 PO: Absorbed power display**

Power absorbed by the electropump in [kW].

A flashing round symbol may appear under the symbol of the measured power PO. This symbol indicates the pre-alarm for exceeding the allowed maximum power.

**8.1.6 C1: Phase current display**

Motor phase current in [A].

A flashing round symbol may appear under the symbol of the phase current C1. This symbol indicates the pre-alarm for exceeding the allowed maximum current. If it flashes at regular intervals it means that the motor overload protection is about to trip and it will very probably go into protection status.

**8.1.1 TE: Heat sink temperature**

Heat sink temperature display

**8.1.2 Pin: Pressure at intake**

Pressure at intake measured in [bar] or [psi] depending on the measuring system used.

**8.1.3 Operating hours and number of starts**

Indicates on three lines the hours that the device has been powered up, the pump working hours and the number of starts of the motor.

**8.1.4 PI: Power histogram**

A histogram of the power delivered is displayed on 5 vertical bars. The histogram indicates how long the pump has been on at a given power level. On the horizontal axis are the bars at the various power levels; on the vertical axis, the time for which the pump has been on at the specific power level (% of the time with respect to the total).

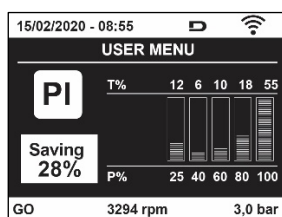


Figure 15 Power histogram display

**8.1.5 Multi-pump system**

Displays the system status when in the presence of a multi-pump installation. If communication is not present, an icon depicting communication absent or interrupted is displayed. If there are several devices connected to one another, an icon is shown for each of them. The icon has the symbol of a pump under which are characters indicating the pump status.

Depending on the operating status it will display as in Table 8.

System display		
Status	Icon	Status information under the icon
Motor running	Symbol of pump turning	Speed in three figures
Motor stopped	Symbol of static pump	SB
Device faulty	Symbol of static pump	F

Table 8 View of the multi-pump system

If the device is configured as reserve the icon depicting the pump is dark in colour, the display remains similar to Table 5 with the exception that, if the motor is stopped, it shows F instead of SB.



**8.1.6 NT: Display of network configurations**

Information on network and serial connections for connectivity. The serial for connectivity can be displayed in full by pressing the “^” key.

**8.1.7 VE: Version display**

Information on the hardware version, serial number and mac address of the pump.

~~For firmware versions 5.9.0 and later, the following also applies: on this page after the prefix S: the last 5 figures of the single serial number attributed for connectivity are used. The whole serial number can be viewed by pressing the “^” key.~~

**8.1.8 FF: Fault log display (log)**

Chronological display of the faults that have occurred during system operation.

Under the symbol FF appear two numbers x/y indicating respectively the fault displayed and the total number of faults present; to the right of these numbers is an indication of the type of fault displayed. The ^ and ∨ keys scroll through the list of faults: pressing the ∨ key goes back through the log and stops at the oldest fault present, pressing the ^ key goes forward in the log and stops at the most recent fault.

The faults are displayed in chronological order from the one that appeared furthest back in time x=1 to the most recent one x=y. The date and time when the fault occurred is also displayed for each one. The maximum number of faults that can be displayed is 8; when this number is reached, the list starts to overwrite the oldest ones.

This menu item displays the list of faults, but does not allow resetting. Reset can be carried out only with the dedicated control from item RF on the TECHNICAL ASSISTANCE MENU.

The fault log cannot be deleted with a manual reset, by switching off the appliance, or by resetting the factory values, unless the procedure described above has been followed.

**8.2 Monitor Menu**

From the main menu, by holding down simultaneously for 2 sec the keys “SET” and “∨”, or using the selection menu and pressing ^ or ∨, you can access the MONITOR MENU. In this menu, by pressing the MODE key, the following values are displayed in sequence.

**8.2.1 BK: Display brightness**

Adjusts the backlighting of the display on a scale from 0 to 100.

**8.2.2 TK: Backlight switch-on time**

Sets the time that the backlight is lit since the last time a key was pressed. Values allowed: ‘0’ always off; from 20 sec to 10 min or ‘always on’. When the backlight is off, the first time any key is pressed has the sole effect of restoring the backlighting.

**8.2.3 LA: Language**

Display in one of the following languages:

- Italian
- English
- French
- German
- Spanish
- Dutch
- Swedish
- Turkish
- Slovak
- Romanian
- Russian
- Thai
- Portuguese

**8.2.4 TE: Heat sink temperature display****8.3 Setpoint Menu**

From the main menu, hold down simultaneously the “MODE” and “SET” keys until “SP” appears on the display (or use the selection menu pressing ^ or ∨).

The ^ and ∨ keys allow you respectively to increase and decrease the plant boosting pressure.

Press SET to leave this menu and return to the main menu.

**8.3.1 SP: Setting the setpoint pressure**

Pressure at which the system is pressurised: min 1.0 bar (14 psi) - max 12.0 bar (174 psi)

## 8.4 Manual Menu

From the main menu, hold down simultaneously the “SET” and “^” and “v” keys until the manual menu page appears (or use the selection menu pressing ^ or v).

The menu allows you to view and modify various configuration parameters: the MODE key allows you to scroll through the menu pages, the ^ and v keys allow you respectively to increase and decrease the value of the parameter concerned. Press SET to leave this menu and return to the main menu. Entering the manual menu by pressing the SET ^ v keys puts the machine into forced STOP condition. This function can be used to force the machine to stop. In manual mode, irrespective of the parameter displayed, it is always possible to perform the following controls:

Temporary starting of the electropump

Pressing the MODE and ^ keys at the same time causes the pump to start at speed RI and this running status remains as long as the two keys are held down.

When the pump ON of pump OFF command is given, a communication appears on the display.

Starting the pump

Holding down the MODE v ^ keys simultaneously for 2 sec. causes the pump to start at speed RI. The running status remains until the SET key is pressed. The next time the SET key is pressed the pump leaves the manual menu. When the pump ON of pump OFF command is given, a communication appears on the display. In case of operation in this mode for more than 5' with no flow of liquid, an alarm overheating alarm will be triggered, with the error PH shown on the display. Once the PH error condition is no longer present, the alarm will be reset automatically only. The reset time is 15'; if the PH error occurs more than 6 times consecutively, the reset time increases to 1h.

Once it has reset further to this error, the pump will remain in stop status until the user restarts it using the “MODE” “v” “^” keys.

### 8.4.1 Status

Displays the pump status.

### 8.4.2 RI: Speed setting

Sets the motor speed in rpm. Allows you to force the number of revolutions at a predetermined value.

### 8.4.3 VP: Pressure display

Plant pressure measured in [bar] or [psi] depending on the measuring system used.

### 8.4.4 VF: Flow display

Displays the flow in the chosen unit of measure. The measuring unit may be [l/min] or [gal/min] see par. 8.5.4 - MS: Measuring system.

### 8.4.5 PO: Absorbed power display

Power absorbed by the electropump in [kW]. A flashing round symbol may appear under the symbol of the measured power PO. This symbol indicates the pre-alarm for exceeding the allowed maximum power.

### 8.4.6 C1: Phase current display

Motor phase current in [A]. A flashing round symbol may appear under the symbol of the phase current C1. This symbol indicates the pre-alarm for exceeding the allowed maximum current. If it flashes at regular intervals it means that the motor overload protection is about to trip and it will very probably go into protection status.

### 8.4.7 RS: Rotation speed display

Motor rotation speed in rpm.

### 8.4.8 TE: Heat sink temperature display

## 8.5 Installer Menu

From the main menu, hold down simultaneously the “MODE” and “SET” and “v” keys until the first parameter of the installer menu appears on the display (or use the selection menu pressing ^ or v).

The menu allows you to view and modify various configuration parameters: the MODE key allows you to scroll through the menu pages, the ^ and v keys allow you respectively to increase and decrease the value of the parameter concerned. Press SET to leave this menu and return to the main menu.

### 8.5.1 RP: Setting the pressure fall to restart

Expresses the fall in pressure with respect to the SP value which causes restarting of the pump.

## ENGLISH

For example if the setpoint pressure is 3.0 [bar] and RP is 0.3 [bar] the pump will restart at 2.7 [bar]. RP can be set from a minimum of 0.1 to a maximum of 1 [bar]. In particular conditions (for example in the case of a setpoint lower than the RP) it may be limited automatically. To assist the user, on the RP setting page the actual restarting pressure also appears highlighted under the RP symbol, see Figure 16.

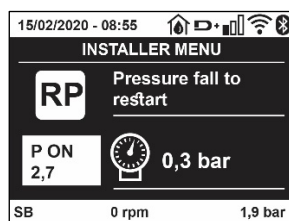


Figure 16 Setting the restart pressure

### 8.5.2 OD: Type of plant

Possible values 1 and 2 referring to a rigid system and an elastic system.

The device leaves the factory with mode 1 suitable for the majority of systems. In the presence of swings in pressure that cannot be stabilised by adjusting the parameters GI and GP, change to mode 2.

**IMPORTANT:** The regulating parameters GP and GI also change in the two configurations. In addition the GP and GI values set in mode 1 are stored in a different memory from the GP and GI values set in mode 2. So, for example, when passing to mode 2, the GB value of mode 1 is replaced by the GB value of mode 2 but it is kept and will reappear again when returning to mode 1. The same value shown on the display has a different weight in one mode or in the other because the control algorithm is different.

### 8.5.3 AD: Address configuration

This is significant only in a multi-pump connection. Set the communication address to be assigned to the device.

The possible values are: automatic (default) or manually assigned address. The addresses set manually can have values from 1 to 4. The configuration of the addresses must be the same for all the devices that make up the group: either all automatic or all manual. Setting the same addresses is not allowed. Both in the case of assigning mixed addresses (some manual and some automatic) and in the case of duplicate addresses, an error signal is given.

The error signal is given by displaying a flashing E in the place of the machine address.

If the chosen assignment is automatic, whenever the system is switched on addresses are assigned that may be different from the previous time, but this does not affect correct operation.

### 8.5.4 MS: Measuring system

Set the measuring system, choosing between metric and Anglo-American units.

The quantities displayed are shown in Table 9.

**NOTE:** The flow in Anglo-American-speaking units (gal/min) is indicated adopting a conversion factor of 1 gal = 4.0 litres, corresponding to the metric gallon.

Quantity	Units of measurement displayed	
	Metric units	Anglo-American unit
Pressure	Bar	psi
Temperature	°C	°F
Flow rate	l/min	gal/min

Table 9 Measuring system

### 8.5.5 AS: Association of devices

Allows connection/disconnection with the following devices:

- esy -> Other e.sybox max pump for operation in a pump set composed of max 4 elements
- DEV -> Any other compatible devices

The icons of the various connected devices are displayed on page AS with below an identifying acronym and the respective reception power. An icon lit with a fixed light means that the device is connected and working correctly; a stroked through icon means the device is configured as part of the network but is not found.



All the devices present over the air are not displayed on this page but only the devices that have been associated with our network. Seeing only the devices in your own network allows the operation of several similar networks existing within the radius of action of the wireless without creating ambiguity; in this way the user does not see the elements that do not belong to his pumping system.

From this menu page it is possible to associate and disassociate an element from your personal wireless network.

When the machine starts the AS menu item does not show any connection because no device is associated. In these conditions the message "No Dev" is shown and the COMM led is off. Only an action by the operator can allow devices to be added or removed with the operations of association and disassociation.

### Association of devices

Once on the AS page, pressing "∧" for 5 sec puts the machine in the wireless association search status, communicating this status with a flashing of the COMM led at regular intervals. As soon as two machines in a working communication range are put into this status, if possible, they are associated with each other. If the association is not possible for one or both machines, the procedure ends and a pop-up appears on each machine saying "association not possible". An association may not be possible because the device you are trying to associate is already present in the maximum number or because the device to be associated is not recognised.

In the last case repeat the procedure from the start.

The search status for association remains active until the device to be associated is detected (irrespective of the result of association); if no device can be seen within the space of 1 minute, the machine automatically leaves association status. You can leave the search status for wireless association at any time by pressing SET or MODE.

**Short-cut. To speed up the procedure, a short-cut has been created that makes it possible to put the pump in association from the main page by pressing the "∨" key.**

**IMPORTANT:** *Once the association has been made between 2 or more devices, a pop-up appears on the display asking you to extend the configuration. This happens in the case where the devices have different configuration parameters (e.g. setpoint SP, RP etc.). Pressing ∧ on a pump extends the configuration of that pump to the other associated pumps.*

*When the ∧ key is pressed pop-ups appear with the message "Wait...", and when this message is finished the pumps will start to work regularly with the sensitive parameters aligned; refer to paragraph 11.1.5 for further information.*

### Disassociation of devices

To dissociate a device belonging to an existing group, go to page AS (installer menu) of the device itself and press the – key for at least 5 seconds.

After this operation all the icons related to the connected devices will be replaced the message "No Dev" is shown and the COMM LED will remain off.

### Replacing devices

To replace a device in an existing group it is sufficient to dissociate the device to be replaced and to associate the new device as described in the procedures above.

If it is not possible to dissociate the element to be replaced (faulty or not available), you will have to carry out the disassociation procedure for each device and create a new group.

#### 8.5.6 EK: low pressure detected on suction

The EK parameter allows you to set the functions for detecting low suction pressure as follows:

- function disabled
- function enabled with automatic reset
- function enabled with manual reset

The function for detecting low pressure on suction generates the blocking of the system after the time T1 (see T1: Low pressure delay).

When the block occurs, the F4 symbol is displayed on the main page.

The two different settings (automatic or manual reset) differ in the type of reset once the pump is blocked:

- In automatic reset mode the suction pressure must return to a value above the PK threshold for at least 2 seconds.
- In manual reset mode it is necessary to simultaneously press and release the "∧" and "∨" keys.

#### 8.5.7 PK: low pressure threshold on suction

Sets the pressure threshold below which the block is tripped for low pressure on suction.

#### 8.5.8 RT: direction of rotation

Displays the direction of rotation. Parameter that cannot be modified by the user.

### 8.6 Technical Assistance Menu

Advanced settings to be made only by skilled personnel or under the direct control of the service network.

From the main menu, hold down simultaneously the "MODE", "SET" and "∧" keys until "TB" appears on the display (or use the selection menu pressing ∧ or ∨). The menu allows you to view and modify various configuration parameters: the MODE key allows you to scroll through the

menu pages, the ^ and v keys allow you respectively to increase and decrease the value of the parameter concerned. Press SET to leave this menu and return to the main menu.

### 8.6.1 TB: Water lack blockage time

Setting the reaction time of the water lack blockage allows you to select the time (in seconds) taken by the device to indicate the lack of water. The variation of this parameter may be useful if there is known to be a delay between the moment the motor is switched on and the moment it actually begins to deliver. One example may be a plant where the suction pipe is particularly long and there are some slight leaks. In this case the pipe in question may be discharged and, even though water is not lacking, the electropump will take a certain time to reload, supply the flow and put the plant under pressure.

### 8.6.2 T1: Low pressure delay (kiwa function)

Sets the time when the inverter switches off after receiving the low pressure signal (see ~~Setting low pressure detection par 9.6.15.5~~). The low pressure signal can be received on each of the 4 inputs by suitably configuring the input (see ~~Setup of auxiliary digital inputs IN1, IN2, IN3, IN4 par 9.6.15~~).

T1 can be set between 0 and 12 s. The factory setting is 2 s.

### 8.6.3 T2: Delay in switching off

Sets the delay with which the inverter must switch off after switch-off conditions have been reached: plant under pressure and flow rate lower than the minimum flow.

T2 can be set between 2 and 120 s. The factory setting is 10 s.

### 8.6.4 GP: Proportional gain coefficient

Generally the proportional term must be increased for systems characterised by elasticity (for example with PVC pipes) and lowered in rigid systems (for example with iron pipes). To keep the pressure in the system constant, the inverter performs a type PI control on the measured pressure error. Depending on this error the inverter calculates the power to be supplied to the motor. The behaviour of this control depends on the set GP and GI parameters. To cope with the different behaviour of the various types of hydraulic plants where the system can work, the inverter allows the selection of parameters different from those set by the factory. For nearly all plants the factory-set GP and GI parameters are optimal. However, should any problems occur in adjustment, these settings may be varied.

### 8.6.5 GI: Integral gain coefficient

In the presence of large falls in pressure due to a sudden increase of the flow or a slow response of the system, increase the value of GI. Instead, if there are swings in pressure around the setpoint value, decrease the value of GI.

**IMPORTANT:** *To obtain satisfactory pressure adjustments, you generally have to adjust both GP and GI.*

### 8.6.6 RM: Maximum speed

Sets a maximum limit on the number of pump revolutions.

### 8.6.7 Setting the number of devices and of reserves

#### 8.6.8 NA: Active devices

Sets the maximum number of devices that participate in pumping.

It may have values between 1 and the number of devices present (max 4). The default value for NA is N, that is the number of devices present in the chain; this means that if devices are added to or removed from the chain, NA always has the value of the number of devices present, automatically detected. If a number different from N is set, this fixes the maximum number of devices that can participate in pumping at the number set.

This parameter is used in cases where there is a limit on the pumps you can or want to be able to keep running, and if you want to keep one or more devices as a reserve (see 8.6.10 IC: Configuration examples for multi-pump plants below).

On the same menu page you can also see (but not change) the other two system parameters linked to this, that is N, the number of devices present, acquired automatically by the system, and NC, the maximum number of simultaneous devices.

#### 8.6.9 NC: Simultaneous devices

Sets the maximum number of devices that can work at the same time. It may have values between 1 and NA. The default value of NC is NA, this means that even if NA increases, NC will have the value NA. If a number different from NA is set, this releases you from NA and fixes the maximum number of simultaneous devices at the number set. This parameter is used in cases where there is a limit on the pumps you can or want to be able to keep running (see 8.6.10 IC: Configuration examples for multi-pump plants below).

On the same menu page you can also see (but not change) the other two system parameters linked to this, that is N, the number of devices present, read automatically by the system, and NA, the number of active devices.

### 8.6.10 IC: Configuration of the reserve

Configures the device as automatic or reserve. If set on auto (default) the device participates in normal pumping, if configured as reserves, minimum starting priority is associated with it, this means that the device with this setting will always start last. If a number of active devices is set that is one lower than the number of devices present and if one element is set as reserve, the effect obtained is that, if there are no problems, the reserve device does not participate in regular pumping; instead, if one of the devices that participates in pumping develops a fault (maybe loss of power supply, tripping of a protection, etc.), the reserve device will start.

The state of configuration as a reserve can be seen as follows: on the Multi-pump System page, the top of the icon is coloured; on the AD and main pages, the communication icon representing the address of the device appears with the number on a coloured background. There may be more than one device configured as reserve in a pumping system.

Even though the devices configured as reserve do not participate in normal pumping, they are nevertheless kept efficient by the anti-stagnation algorithm. The anti-stagnation algorithm changes the starting priority once every 23 hours and allows the accumulation of at least one continuous minute of supply of flow from each device. The aim of this algorithm is to avoid the deterioration of the water inside the impeller and to keep the moving parts efficient; it is useful for all devices and especially for those configured as reserve, which do not work in normal conditions.

### 8.6.11 Configuration examples for multi-pump plants

*Example 1:*

*A pump set composed of 2 devices (N=2 detected automatically) of which 1 set active (NA=1), one simultaneous (NC=1 or NC=NA since NA=1) and one as reserve (IC=reserve on one of the two devices).*

*The result obtained is the following: the device not configured as a reserve will start and work by itself (even though it does not manage to bear the hydraulic load and the pressure achieved is too low). If it has a fault, the reserve device steps in.*

*Example 2:*

*A pump set composed of 2 devices (N=2 detected automatically) in which all the devices are active and simultaneous (factory settings NA=N and NC=NA) and one as reserve (IC=reserve on one of the two devices).*

*The result obtained is the following: the device that is not configured as reserve always starts first, if the pressure detected is too low the second device, configured as reserve, also starts. In this way we always try to preserve the use of one device in particular (the one configured as reserve), but this may be useful in case of necessity when a greater hydraulic load occurs.*

*Example 3:*

*A pump set composed of 4 devices (N=4 detected automatically) of which 3 set active (NA=3), 2 simultaneous (NC=2) and 1 as reserve (IC=reserve on two devices).*

*The result obtained is the following: at the most 2 devices will start at the same time. The operation of the 2 that can work simultaneously will take place in rotation among 3 devices so as to respect the maximum exchange time of each (ET). If one of the active devices develops a fault no reserve starts up because more than 2 devices cannot start at one time (NC=2) and there are still 2 active devices present. The reserve intervenes as soon as another of the 2 develops a fault.*

### 8.6.12 ET: Max. switching time

Sets the maximum continuous working time of a device in a set. It is significant only on pump sets with interconnected devices. The time can be set between 1 min and 9 hours; the factory setting is 2 hours.

When the ET of a device has elapsed the system starting order is reassigned so as to give minimum priority to the device on which the time has elapsed. The aim of this strategy is to use less the device that has already worked and to balance the working time between the various machines that make up the set. If the hydraulic load still requires the intervention of the device, even though it has been put last in starting order, it will start to guarantee pressure boosting of the system.

The starting priority is reassigned in two conditions based on the ET time:

Exchange during pumping: when the pump remains on without interruption until the absolute maximum pumping time has been exceeded.

1. Exchange to standby: when the pump is on standby but 50% of the ET time has been exceeded.

If ET has been set at 0 there will be exchange to standby. Whenever a pump in the set stops, a different pump will start first next time it is restarted.



If the parameter ET (Max. switching time) is set at 0, there will be exchange at each restart, irrespective of the pump's actual work time.

### 8.6.13 AY: Anti Cycling

As described in paragraph 10.1.2 this function is for avoiding frequent switching on and off in the case of leaks in the system. The function can be enabled in 2 different modes, normal and smart. In normal mode the electronic control blocks the motor after N identical start/stop cycles. In smart mode it acts on the parameter RP to reduce the negative effects due to leaks. If set on "Disable", the function does not intervene.

### 8.6.14 AE: Enabling the anti-block function

This function is for avoiding mechanical blocks in the case of long inactivity; it acts by periodically rotating the pump. When the function is enabled, every 23 hours the pump performs an unblocking cycle lasting 1 min.

**8.6.15 AF: Enabling the anti-freeze function**

If this function is enabled the pump is automatically rotated when the temperature reaches values close to freezing point, in order to avoid breakages of the pump.

**8.6.16 RF: Fault and warning reset**

Holding down the ^ and √ keys together for at least 2 seconds deletes the history of faults and warnings. The number of faults present in the log is indicated under the symbol RF (max 8). The log can be viewed from the MONITOR menu on page FF.

**8.6.17 PW: Change password**

The device has a password-enabled protection system. If a password is set, the parameters of the device will be accessible and visible but it will not be possible to change them.

When the password (PW) is "0" all the parameters are unlocked and can be edited.

When a password is used (value of PW different from 0) all modifications are blocked and "XXXX" is displayed on the page PW.

If the password is set it allows to navigate through all the pages, but at any attempt to edit a parameter a pop-up appears, asking you to type in the password. When the correct password is typed in the parameters are unlocked and can be edited for 10' after the last key is pressed. If you want to cancel the password timer, just go to page PW and hold down ^ and √ together for 2".

When the correct password is typed in a padlock is shown opening, while if the wrong password is given a flashing padlock appears.

After resetting the factory values the password is set back at "0". Each change of the password takes effect when Mode or Set is pressed and each subsequent change of a parameter implies typing in the new password again (e.g. the installer makes all the settings with the default PW value = 0 and lastly sets the PW so as to be sure that the machine is already protected without any further action).

If the password is lost there are 2 possibilities for editing the parameters of the device:

- Make a note of the values of all the parameters, reset the device with the factory values, see paragraph 9.3. The reset operation cancels all the parameters of the device, including the password.
- Make a note of the number present on the password page, send a mail with this number to your service centre, in a few days you will be sent the password to unlock the device.

**8.6.20.1 Password for multipump systems**

When the PW is typed in to unlock a device in a set, all the devices are unlocked.

When the PW is changed on a device in a set, all the devices receive the change.

When activating protection with a PW on a device in a set (^ and √ on page PW when PW≠0), the protection is activated on all the devices (to make any change you are asked for the PW).

**9. RESET AND FACTORY SETTINGS****9.1 General system reset**

To reset the system, press and hold the 4 keys simultaneously for 2 seconds. This operation is the same as disconnecting the power, waiting for it to close down completely and supplying power again. The reset does not delete the settings saved by the user.

**9.2 Factory settings**

The device leaves the factory with a series of preset parameters which may be changed according to the user's requirements.

Each change of the settings is automatically saved in the memory and, if desired, it is always possible to restore the factory conditions (see Restoring the factory settings par 9.3 - Restoring the factory settings).

**9.3 Restoring the factory settings**

To restore the factory values, switch off the device, wait until the display has switched off completely, press and hold down the "SET" and "^" keys and turn on the power; release the two keys only when the letters "EE" appear.

Once all the parameters have been set, the device returns to normal operation.

NOTE: Once the factory values have been restored it will be necessary to reset all the parameters that characterise the system (gains, setpoint pressure, etc.) as at the first installation.

ENGLISH

Identifying code	Description	Value	Installation Memo
TK	Backlight lighting T.	2 min	
LA	Language	ENG	
SP	Setpoint pressure [bar]	3,0	
RI	Revs per minute in manual mode [rpm]	3000	
OD	Type of plant	1 (Rigid)	
RP	Pressure decrease to restart [bar]	0,3	
AD	Address configuration	0 (Auto)	
PR	Remote pressure sensor	Disabled	
MS	Measuring system	0 (International)	
EK	Low pressure function on suction	0 (disabled)	
PK	Low pressure threshold on suction [bar]	1,0	
TB	Blockage time for water lack [s]	15	
T1	Low pr. delay (KIWA) [s]	2	
T2	Delay in switching off [s]	10	
GP	Proportional gain coefficient	0,5	
GI	Integral gain coefficient	1,2	
RM	Maximum speed [rpm]	5500	
NA	Active devices	N	
NC	Simultaneous devices	NA	
IC	Configuration of the reserve	1 (Auto)	
ET	Max. exchange time [h]	2	
AE	Anti-blocking function	1(Enabled)	
AF	Antifreeze	1(Enabled)	
PW	Change password	0	
AY	Anticycling Function AY	0 (Disabled)	

Table 10

## 10. PROTECTION SYSTEMS

The device is equipped with protection systems to preserve the pump, the motor, the supply line and the inverter. Depending on the type of error, the protection can stop the motor but when normal conditions are restored it can: cancel itself automatically instantaneously or after a certain time following an automatic reset.

Some errors can be unlocked manually by pressing and releasing the ^ and v buttons simultaneously.

Alarm in the fault log	
Display indication	Description
PD	Irregular switching off
FA	Problems in the cooling system

Table 11 Alarms

Blockage conditions	
Display indication	Description
PH	Cutout due to pump overheating
BL	Blockage due to water lack
BP1	Blockage due to reading error on the internal pressure sensor
PB	Blockage due to supply voltage outside specifications
OT	Blockage due to overheating of the power stages



ENGLISH

OC	Blockage due to motor overload
SC	Blockage due to short circuit between the motor phases
ESC	Blockage due to short circuit to earth
HL	Hot liquid
NC	Blockage due to motor disconnected
Ei	Blockage due to i-th internal error
VI	Blockage due to i-th internal voltage out of tolerance
EY	Block for cyclical abnormal detected on the system

Table 12 Indications of blockages

## 10.1 Description of blockages

### 10.1.1 “BL” Anti Dry-Run (Protection against dry running)

In the case of lack of water the pump is stopped automatically after the time TB. This is indicated by the red “Alarm” LED and by the letters “BL” on the display.

After having restored the correct flow of water you can try to leave the protective block manually by pressing the ^ and “v” keys simultaneously and then releasing them.

If the alarm status remains, or if the user does not intervene by restoring the flow of water and resetting the pump, the automatic restart will try to restart the pump.



If the parameter SP is not correctly set, the protection against water lack may not work correctly.

### 10.1.2 Anti-Cycling (Protection against continuous cycles without utility request)

If there are leaks in the delivery section of the plant, the system starts and stops cyclically even if no water is intentionally being drawn: even just a slight leak (a few ml) can cause a fall in pressure which in turn starts the electropump.

The electronic control of the system is able to detect the presence of the leak, based on its recurrence.

The Anti-Cycling function can be excluded or activated in Basic or Smart mode (par 8.6.12).

In Basic mode, once the condition of recurrence is detected the pump stops and remains waiting to be manually reset. This condition is communicated to the user by the lighting of the red “Alarm” led and the appearance of the word “ANTICYCLING” on the display. After the leak has been removed, you can manually force restart by simultaneously pressing and releasing the “^” and “v” keys.

In Smart mode, once the leak condition is detected, the parameter RP is increased to decrease the number of starts over time.

### 10.1.3 Anti-Freeze (Protection against freezing of water in the system)

The change of state of water from liquid to solid involves an increase in volume. It is therefore essential to ensure that the system does not remain full of water with temperatures close to freezing point, to avoid breakages of the system. This is the reason why it is recommended to empty any electropump that is going to remain unused during the winter. However, this system has a protection that prevents ice formation inside by activating the electropump when the temperature falls to values close to freezing point. In this way the water inside is heated and freezing prevented.



The Anti-Freeze protection works only if the system is regularly fed: with the plug disconnected or in the absence of current the protection cannot work. However, it is advised not to leave the system full during long periods of inactivity: drain the system accurately through the two drainage caps on the dock and put it away in a sheltered place.

### 10.1.4 “BP1” “BP2” Blockage due to fault of the internal pressure sensor

If the device detects an anomaly on one of the two pressure sensors, the pump remains blocked and “BP1” for the delivery pressure sensor and “BP2” for the suction pressure sensor is indicated respectively. The fault status begins as soon as the problem is detected and ends automatically when correct conditions have been restored.

### 10.1.5 “PB” Blockage due to supply voltage outside specifications

This occurs when the allowed line voltage at the supply terminal assumes values outside the specifications. It is reset only automatically when the voltage at the terminal returns within the allowed values.

### 10.1.6 “SC” Blockage due to short circuit between the motor phases

The device is provided with protection against the direct short circuit which may occur between the motor phases. When this blockage is indicated you can attempt to restore operation by simultaneously holding down the ^ and v keys, but this will not have any effect until 10 seconds have passed since the moment the short circuit occurred.

**10.2 Manual reset of error conditions**

In error status, the user can cancel the error by forcing a new attempt, pressing and then releasing the ^ and v keys.

**10.3 Self-reset of error conditions**

For some malfunctions and blockage conditions, the system attempts automatic self-reset.

The auto self-reset procedure concerns in particular:

- “BL” Blockage due to water lack
- “PB” Blockage due to line voltage outside specifications
- “OT” Blockage due to overheating of the power stages
- “OC” Blockage due to motor overload
- “BP” Blockage due to fault of the pressure sensor

For example, if the system is blocked due to water lack, the device automatically starts a test procedure to check whether the machine is really left definitively and permanently dry. If during the sequence of operations an attempted reset is successful (for example, the water comes back), the procedure is interrupted and normal operation is resumed.

Table 13 shows the sequences of the operations performed by the device for the different types of blockage.

Automatic resets of error conditions		
Display indication	Description	Automatic reset sequence
BL	Blockage due to water lack	- One attempt every 10 minutes for a total of 6 attempts - One attempt every hour for a total of 24 attempts - One attempt every 24 hours for a total of 30 attempts
PB	Blockage due to line voltage outside specifications	It is reset when it returns to a specific voltage
OT	Blockage due to overheating of the power stages	It is reset when the temperature of the power stages returns within the specifications
OC	Blockage due to motor overload	- One attempt every 10 minutes for a total of 6 attempts - One attempt every hour for a total of 24 attempts - One attempt every 24 hours for a total of 30 attempts

Table 13 Self-reset of blockages

**11. PARTICULAR INSTALLATIONS**

**11.1 Multiple Sets**

**11.1.1 Introduction to multipump systems**

By multipump systems we mean a pump set made up of a number of pumps whose deliveries all flow into a common manifold.

The devices communicate with one another by means of the connection provided (wireless).

The group may be made up of a maximum of 4 devices.

A multipump system is used mainly for:

- Increasing hydraulic performance in comparison with a single device.
- Ensuring continuity of operation in the event of a device developing a fault.
- Sharing out the maximum power.

**11.1.2 Making a multipump system**

The hydraulic plant must be created as symmetrically as possible to obtain a hydraulic load uniformly distributed over all the pumps.

The pumps must all be connected to a single delivery manifold.



For good operation of the pressure boosting set, the following must be the same for each device:

- hydraulic connections,

- maximum speed (parameter RM)

The firmware of the connected e.sybox max units must all be the same.

Once the hydraulic system has been made, it is necessary to create the pumping set by carrying out the wireless association of the devices (see par 8.5.5.)

### 11.1.3 Wireless communication

The devices communicate with each other and send the flow and pressure signals by wireless communication.

### 11.1.4 Connection and setting of the photo-coupled inputs

The inputs of the I/O control unit are used to activate the float, auxiliary setpoint, system disabling and low suction pressure functions.

The parameters shown on the menu for multipump operation are classified as follows:

Read-only parameters.

- Parameters with local significance.
- Multipump system configuration parameters which in turn are divided into:
  - Sensitive parameters
  - Parameters with optional alignment

### 11.1.5 Parameters concerning multipump

#### Parameters with local significance

These are parameters that can be divided among the various devices and in some cases it is necessary for them to be different. For these parameters it is not allowed to align the configuration automatically among the various devices.

For example, in the case of manual assignment of the addresses, these must absolutely be different one from the other.

List of parameters with local significance for the device.

- BK Brightness
- TK Backlight switch-on time
- RI Revs/min in manual mode
- AD Address Configuration
- IC Reserve configuration
- RF Reset fault and warning

#### Sensitive parameters

These are parameters which must necessarily be aligned over the whole chain for adjustment reasons.

List of sensitive parameters:

- SP Setpoint pressure
- RP Pressure decrease to restart
- ET Max. exchange time
- AY Anti cycling
- NA Number of active devices
- NC Number of simultaneous devices
- TB Dry run time
- T1 Switch-off time after low pressure signal
- T2 Switch-off time
- GI Integral gain
- GP Proportional gain
- OD Type of system
- PR Remote pressure sensor
- PW Change password

#### Automatic alignment of sensitive parameters

When a multipump system is detected, the compatibility of the set parameters is checked. If the sensitive parameters are not aligned among all the devices, a message appears on the display of each device asking whether you want to propagate the configuration of that particular device to the whole system. If you accept, the sensitive parameters of the device on which you answered the question will be distributed to all the devices in the chain.

If there are configurations that are not compatible with the system, these devices are not allowed to propagate their configuration.

During normal operation, changing a sensitive parameter of a device results in the automatic alignment of the parameter on all the other devices without asking for confirmation.

**NOTE:** *The automatic alignment of the sensitive parameters has no effect on all the other types of parameters.*

*In the particular case of inserting a device with factory settings in the chain (a device replacing an existing one or a device on which the factory configuration has been restored), if the present configurations with the exception of the factory configurations are compatible, the device with factory configuration automatically assumes the sensitive parameters of the chain.*

### Parameters with optional alignment

These are parameters for which it is tolerated that they may not be aligned among the various devices. At each change of these parameters, when you come to press SET or MODE, you are asked if you want to propagate the change to the entire communication chain. In this way, if all elements of the chain are the same, it avoids setting the same data on all the devices.

List of parameters with optional alignment:

- LA Language
- MS Measuring system
- AE Anti-blocking
- AF Anti-Freeze
- RM Maximum speed

#### 11.1.6 First start of the multipump system

Make the hydraulic and electric connections of the whole system as described in chapter 5 and in par 6.1.

Switch on the devices and create the associations as described in paragraph 8.5.5 - AS: Association of devices.

#### 11.1.7 Multipump adjustment

When a multipump system is switched on, the addresses are automatically assigned and an algorithm selects one device as the adjustment leader. The leader decides the speed and starting order of each device in the chain.

The adjustment mode is sequential (the devices start one at a time).

When starting conditions occur, the first device starts, when it has reached maximum speed the next one starts, and then the others in sequence. The starting order is not necessarily in ascending order according to the machine address, but it depends on the working hours done see 8.6.11 - ET: Max. switching time.

#### 11.1.8 Assigning the starting order

Each time the system is switched on a starting order is associated with each device. Depending on this, the sequential starts of the devices are decided.

The starting order is modified during use as necessary by the following two algorithms:

- Reaching the maximum switching time
- Reaching the maximum inactivity time

#### 11.1.9 Maximum switching time

Depending on the parameter ET (maximum switching time), each device has a working time counter, and depending on this the starting order is updated with the following algorithm:

- if at least half of the ET value has been exceeded, the priority is exchanged the first time the inverter switches off (exchange to standby);
- if the ET value is reached without ever stopping, the inverter is switched off unconditionally and is taken to minimum restarting priority (exchange during running).



If the parameter ET (Max. switching time) is set at 0, there is an exchange at each restart.

See 8.6.11 - ET: Max. switching time.

#### 11.1.10 Reaching the maximum inactivity time

The multipump system has an anti-stagnation algorithm, the aim of which is to keep the pumps in perfect working order and to maintain the integrity of the pumped fluid. It works by allowing a rotation in the pumping order so as to make all the pumps supply at least one minute of flow every 23 hours. This happens whatever the device configuration (enabled or reserve). The exchange of priority requires that the device that has been stopped for 23 hours be given maximum priority in the starting order. This means that as soon as it is necessary to supply flow, it will be the first to start. The devices configured as reserve have precedence over the others. The algorithm ends its action when the device has supplied at least one minute of flow.

When the intervention of the anti-stagnation algorithm is over, if the device is configured as reserve, it is returned to minimum priority to preserve it from wear.

#### 11.1.11 Reserves and number of devices that participate in pumping

The multipump system reads how many elements are connected in communication and calls this number N.

Then depending on the parameters NA and NC it decides how many and which devices must work at a certain time.

NA represents the number of devices that participate in pumping.

NC represents the maximum number of devices that can work at the same time.

If there are NA active devices in a chain and NC simultaneous devices with NC smaller than NA, it means that at the most NC devices will start at the same time and that these devices will exchange with NA elements. If a device is configured with reserve preference, it will be the last in the starting order, so for example if I have 3 devices and one of these is configured as reserve, the reserve will be the third element to start, whereas if I set NA=2 the reserve will not start unless one of the two active ones develops a fault.

See also the explanation of the parameter

8.6.8 - NA: Active devices;

8.6.9 NC: Simultaneous devices;

8.6.10 IC: Configuration of the reserve.

## 12. APP, DCONNECT CLOUD AND SOFTWARE UPDATE



The "Smart Solution" **APP DConnect** is, together with the pump display, the interface for local control of the Eskybox Max pump.

Via the DConnect APP you can update the product and configure the main parameters of the device with the convenience of an easy-to-use and always handy APP.

The DConnect APP allows you to get the best out of the product: it is also possible to speed up the creation of your system through the DSync solution (*see dedicated section*) and make the necessary updates (*see dedicated section*) directly from your smartphone without cumbersome external objects.

Via the APP it is possible to interact locally with the product through the "Direct Connection" menu accessible directly from the main page of the APP.



Menu - Direct connection

The **DConnect CLOUD** "Smart Solution" allows you to control your systems remotely both through the appropriate internet portal: [dconnect.dabpumps.com](http://dconnect.dabpumps.com) and through the DConnect APP itself via the appropriate menu "Your installations", accessible directly from the APP main page.



Menu - Your Installations

**NOTE 1:** The DConnect Cloud remote control service requires registration with the portal and, after a trial period, it requires a subscription. All information is available on the site: [www.internetofpumps.com](http://www.internetofpumps.com)

**NOTE 2:** This manual refers to DConnect APP menus, colours or descriptions may change.

To get the best out of the product and its interaction with the APP and the DConnect Cloud service, consult also the online documentation and watch the demonstration videos. All the necessary information is available on the site: [www.internetofpumps.com](http://www.internetofpumps.com) or [www.dabpumps.com](http://www.dabpumps.com)

### 12.1 System requirements

- **APP requirements: Smartphone**

- Android ≥ 6 (API level 23).
- IOS ≥ 12
- Internet access, WiFi and Bluetooth enabled.
- Grant the authorisations proposed from time to time by the smartphone operating system

- **Requirements for access from WebAPP: PC**

- WEB browser that supports JavaScript (e.g. Microsoft Edge, Firefox, Google Chrome, Safari).
- Internet access.

**Note:** Microsoft© has announced that Internet Explorer 10 will only be supported until January 2020. For this reason the webAPP does not support Internet Explorer. However, its replacement, Microsoft Edge, is already available pre-installed in the PC.

- **Product Network Requirements**

- Active and permanent direct Internet connection at the installation site.
- WiFi Modem/Router (2.4 Ghz).
- Good quality WiFi signal and power in the area where the product is installed

NOTE: If the WiFi signal is deteriorated, we suggest using a Wifi Extender.

The use of DHCP is recommended, although a Static IP can be set.

### 12.2 Updating the software

Updates ensure a better use of the services offered by the product.

Before starting to use the product, make sure that it is updated to the latest software version available. During the software update the products involved cannot carry out pumping functions. For this reason a manned update is recommended.

ENGLISH

**NOTE 1:** The update can take up to 5 minutes per product and when it ends the pump will restart.

**NOTE 2:** In order to use the Esybox Max in the pump set, the software versions of each component of the pump set must all be the same.

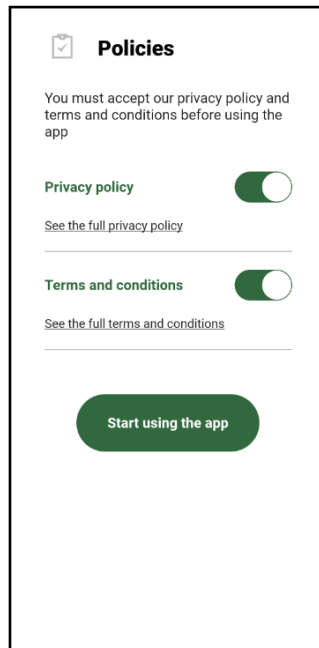
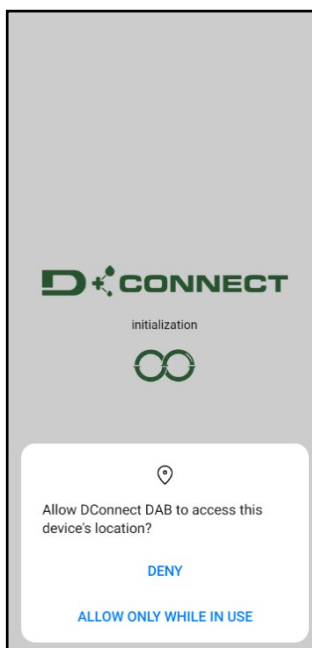
The software update can be carried out:

- **locally:**
  - directly from the DConnect APP (recommended)
  - directly from a more up-to-date Esybox Max and a similar, less up-to-date pump
- **remotely** if you subscribe to the Cloud DConnect service.

**Local updates via APP DCONNECT**



Be sure to download the latest version of the DConnect DAB APP available from the App Store and Google Play and approve all authorisation requests, policies and terms and conditions that appear on your smartphone screen.



For the first configuration and to update the product, from the APP main page press the button:

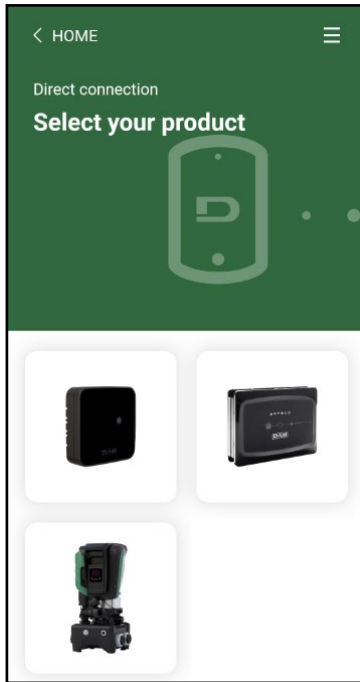


Menu - Direct connection

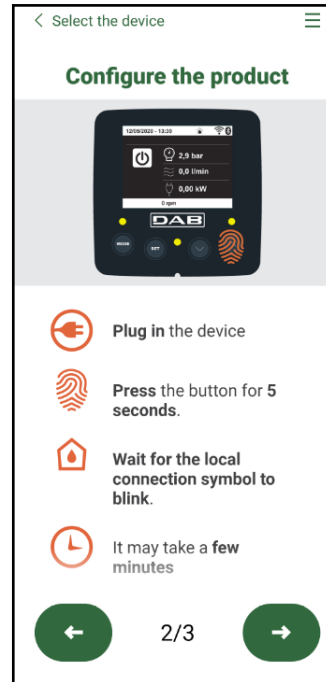
The App will guide you step-by-step through the local connection procedure and product update (In the case of an Esybox Max pump group it is advisable to upgrade one device at a time or use the smart solution: **DSync** ).

**Procedure:**

From the product selection menu, choose the Esybox Max and follow the step-by-step instructions indicated in the DConnect APP screens.



Selecting the product to access

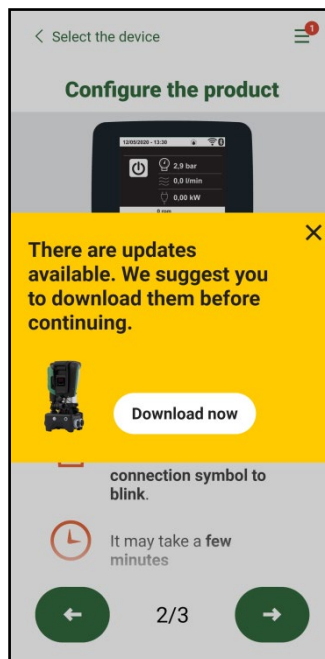


Direct connection instructions

Once the connection between smartphone and product has been made ("local connection"), the APP will check if a software update is available. If so, a popup will appear on the APP screen.

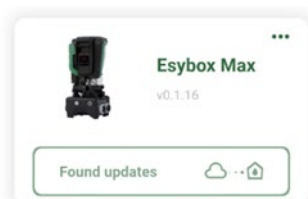
Press the "Download" button in the popup to download the update software to your smartphone.

**NOTE:** This software will remain available in the APP to facilitate any subsequent updates of other Esybox Maxes and will remain valid until a new update software is made available and then replaced.



Notification of new available updates

Once the download is complete, the update resides on your smartphone; to transfer it to the product, access the Esybox Max direct connection menu and press the green button:



Product menu with an Update available



Button to start the update

Once the update has started, the pump will show the status on the display, which will end with “Done!” and will restart immediately afterwards. If the update is unsuccessful, the Esybox Max you were trying to update will restart with the previous software version, so you can repeat the operation.

### Software alignment between two Esybox Max devices

If a smartphone is not available (which is recommended to take advantage of the latest available update) it is possible to carry out local software alignment between two Esybox Max devices of the same model.

The software alignment of similar products is necessary to allow the creation of the pump set.

The procedure is carried out between two Esybox Max devices at a time, in case of more than one Esybox Max to be updated the procedure must be repeated each time.

#### Procedure:

Make the association between two Esybox Max devices (see 8.5.5 AS Device Association).

If the two Esybox Max devices have a different software version (which can be checked from the VE menu) they will display a popup indicating that you are trying to make an association between two products with different firmware. The popup also indicates the firmware version and tells you to press the ^ key.

This key can be pressed on any Esybox Max involved in the software alignment phase.

Once the update has started, the pump will show the status on the display, which will end with “Done!” and will restart immediately afterwards.

Check via the VE menu that the Esybox Max has been updated to the desired version.

If the update is unsuccessful, the Esybox Max you were trying to update will restart with the previous software version, so you can repeat the operation.

### 12.3 DSYNC

DAB products with integrated DConnect feature smart solutions that help the user during the initial configuration and use of the product.

With DSync you can save time for the first configuration and software update of the Esybox Max, which will be part of a new booster set.

It will be enough to configure only one pump in the set and propagate the settings to the other pumps via the DSync function.

In greater detail, when creating a new pump set via DSync you can:

- Update the Esybox Max devices present to the latest software version available
- Align the language and measurement unit settings for each pump in the set
- If you want to use the DConnect Cloud service, you can enable the service on an Esybox Max to which you are directly connected and propagate the settings to the other pumps in the set.

Requirements:

To use the DSync function

- The Esybox Max must not have been previously synchronised (via DSync) with other similar pumps (it is possible to restore the status from App in the product menu).
- It must have been powered for no more than 30 mins (otherwise just restart it)
- If a software update is necessary, consider that it can take up to 5 minutes per pump.

Procedure:



- Click on the “Direct connection” button on the main page of the Dconnect App.
- Select the image of the Esybox Max product
- Follow the step-by-step instructions in the APP
- Click on the green DSync button



- The APP screen will display the number of pumps found at the installation site that can be synchronised as they are in a “first configuration” state.
- At the same time the displays of the Esybox Max devices involved will also flash to communicate that they are about to be synchronised.
- The first step is to update the software of the pumps found.

Once the update has started, the pump will show the status on the display and restart when the update is complete. On the APP a symbol with a green check mark will confirm the operation. If not, you can repeat the operation with the appropriate symbol



- The second phase of DSync deals with the alignment of the parameters related to the user's location (language, unit of measurement) and any WiFi configurations and information related to the DConnect cloud service. A symbol with a green cloud will confirm the operation.



### 13. MAINTENANCE



Disconnect the power supply before starting any work on the system.

The system requires no routine maintenance operations.

However, below are the instructions for performing the special maintenance operations that may be necessary in particular cases (e.g. emptying the system to put it away during a period of inactivity).

#### 13.1 Accessory tool

With the product DAB supplies an accessory tool (wrench) that is useful for carrying out the operations contemplated on the system during installation and any special maintenance operations. (Fig.17)

The accessory tool is used for: opening and closing the Dock, removing the NRV, turning the caps.

It is housed behind the expansion vessel. (Fig.6)



If the key is lost or damaged, the same operation can be performed with a 10mm (13/32 inch) socket wrench). The only operation for which the tool can be replaced is to open and close the Dock. You will need a screwdriver for the caps and pliers to extract the NRV.

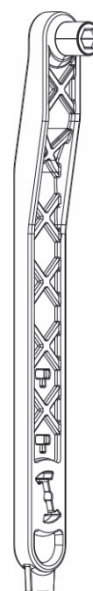


Figure 17

#### 13.2 Emptying the system

If you want to drain the water out of the system, proceed as follows:

1. disconnect the electric power supply;
2. turn on the delivery tap closes to the system so as to remove pressure from the system and empty it as much as possible;
3. if there is a check valve immediately downstream from the system (always recommended), close it so as not to let out the water that is in the plant between the system and the first turned on tap;
4. interrupt the suction pipe in the point closest to the system (it is always recommended to have a check valve immediately upstream from the system) so as not to drain the whole suction system;
5. remove the two drainage caps on the dock and let out the water inside (about 11 litres); Fig.18

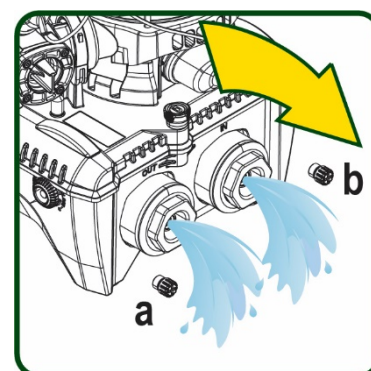


Figure 18



Though essentially drained, the system is unable to expel all the water that it contains. During handling of the system after emptying it, some small amounts of water may probably leak out from the system.

#### 13.3 Non-return valve

The system has an integrated non-return valve which is necessary for correct operation. The presence of solid bodies or sand in the water could cause malfunctioning of the valve and therefore of the system. Although it is recommended to use fresh water and eventually fit filters on input, if you notice abnormal operation of the non-return valve it can be extracted from the system and cleaned and/or replaced by proceeding as follows, see fig. 19:

1. disconnect the electric power supply;
2. drain the system;
- 3a. remove the four screws;
- 3b. remove the cap using the accessory tool (or pliers);
- 3c. remove the valve
- 3d. clean the valve under running water, ensure that it is not damaged and replace it if necessary.

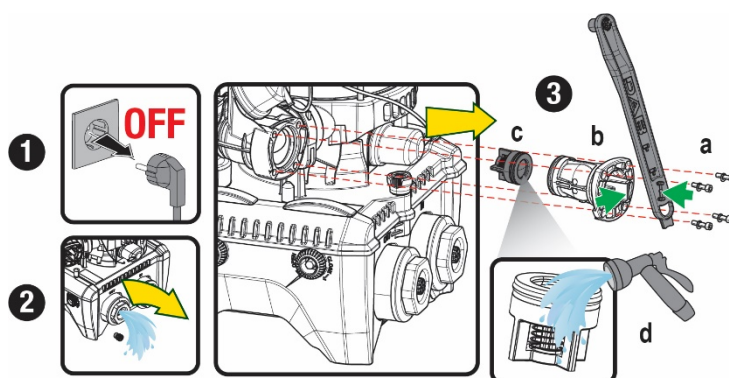


Figure 19



Should one or more O-rings be lost or damaged during maintenance operations on the non-return valve, they must be replaced. Otherwise the system might not work correctly.

#### 13.4 Motor shaft

The electronic control of the system ensures smooth starts so as to avoid excessive stress on the mechanical parts and thus prolong the life of the product. In exceptional cases this characteristic could cause problems in starting the pump: after a period of inactivity, perhaps with the

system drained, the salts dissolved in the water could have settled and formed calcification between the moving part (motor shaft) and the fixed part of the pump, thus increasing the resistance on starting. In this case it may be sufficient to help the motor shaft by hand to detach itself from the calcifications. In this system the operation is possible because access to the motor shaft from outside is guaranteed and a groove is provided at the end of the shaft. Proceed as follows:

1. Disconnect the electric power supply.
2. Remove the lifting eyebolt inside the upper compartment by unscrewing it (Fig.20). During the operation take care not to let impurities (liquid or solid) enter the motor.
3. With the help of a straight tip screwdriver, operate the motor shaft by rotating it through the track that remains visible on its upper face. The direction of rotation is not important, just check that it can turn freely.
4. Screw the eyebolt back into place, making sure that the O-Ring has not been removed or damaged during operation 2.

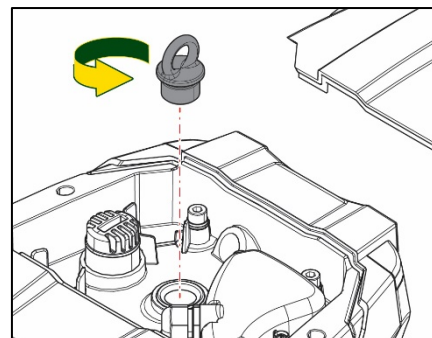


Figure 20

### 13.5 Expansion Vessel

See paragraph 1.4 for the operations to check and adjust the air pressure in the expansion vessel.

To replace it in case of breakage, follow the steps below:

1. Disconnect the electric power supply.
2. Drain the section of system on which the tank is mounted (remove pressure from the system, close the valve nearest to the pump otherwise the whole system will be drained, open the drain plug of the pump delivery manifold -Fig.18a-, facilitate water drainage by loosening the filling cap in the technical compartment so that air can be drawn in)
3. Remove the casing (vessel cover) simply by pulling it, this is fixed by a double cylindrical snap-on coupling (Fig.21a);
4. Remove the retaining screw with a screwdriver and remove the metal fork using pliers (Fig.21b).
5. Remove the retaining screw (Fig.22a) with a torx screwdriver and open the retaining collar (Fig.22b, two snap hooks, and turn it on its hinges).
6. Pull the expansion tank upwards until the O-Ring disengages from its seat on the delivery curve. Take care because the O-Ring will make some resistance. At this point the expansion vessel is free in the operator's hand.
7. Slacken the screw (Fig.23a) until the ring on the expansion tank is idle.
8. Take the ring off the expansion tank (Fig.23b).
9. Check the O-Ring (Fig.23c) and replace it if damaged (unless it is already supplied mounted on the DAB spare part, in which case it can be scrapped together with the vessel to be replaced).

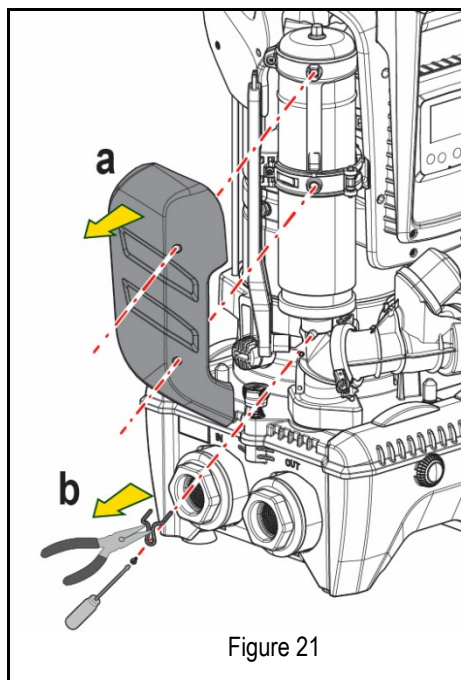


Figure 21

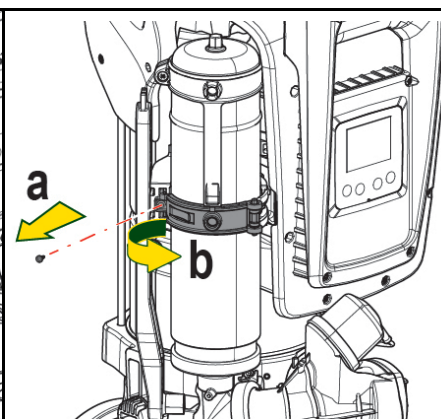


Figure 22

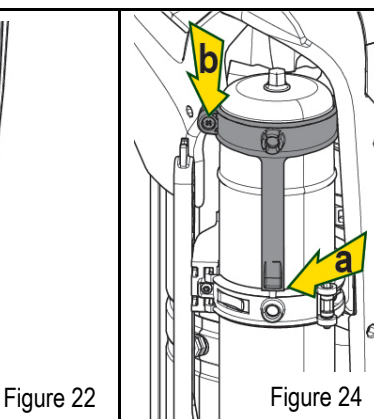


Figure 24

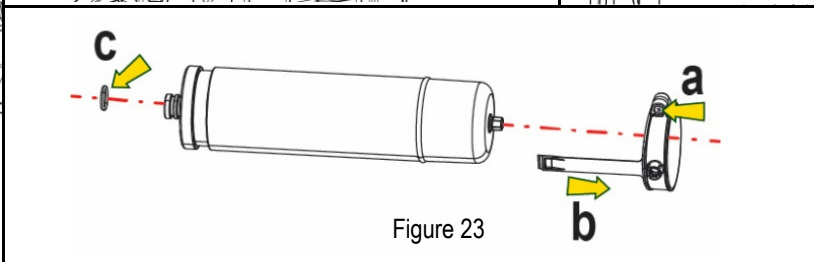


Figure 23

10. Fit the new vessel and fix it by performing operations 6,4,5 in inverse order.
11. Fit the ring on the vessel by inserting the positioning band in its seat on the retaining collar until the tooth stops (Fig.24a)
12. Tighten the screw (Fig.24b) to prevent rotation of the ring and secure its position.
13. Clip the casing into place, performing operation 3 in inverse order.

## 14. TROUBLESHOOTING



Before starting to look for faults it is necessary to disconnect the power supply to the pump (take the plug out of the socket).

FAULT	LED	PROBABLE CAUSES	REMEDIES
The pump does not start.	Red: off White: off Blue: off	No electric power.	Check whether there is voltage in the socket and insert the plug again.
The pump does not start.	Red: on White: on Blue: off	Shaft blocked.	See paragraph Motor shaft maintenance.
The pump does not start.	Red: off White: on Blue: off	Utility at a level higher than the system restarting pressure level (par. 3.2).	Increase the system restarting pressure level by increasing SP or decreasing RP.
The pump does not stop.	Red: off White: on Blue: off	<ol style="list-style-type: none"> <li>1. Leak in the system.</li> <li>2. Impeller or hydraulic part clogged.</li> <li>3. Air getting into the suction pipe.</li> <li>4. Faulty flow sensor.</li> </ol>	<ol style="list-style-type: none"> <li>1. Check the system, find and eliminate the leak.</li> <li>2. Dismantle the system and remove the obstructions (assistance service).</li> <li>3. Check the suction pipe, find and eliminate the cause of air getting in.</li> <li>4. Contact the assistance centre.</li> </ol>
Insufficient delivery	Red: off White: on Blue: off	<ol style="list-style-type: none"> <li>1. Suction depth too high.</li> <li>2. Suction pipe clogged or diameter insufficient.</li> <li>3. Impeller or hydraulic part clogged.</li> </ol>	<ol style="list-style-type: none"> <li>1. As the suction depth increases the hydraulic performance of the product decreases (see par. <i>Description of the Electropump</i>). Check whether the suction depth can be reduced. Use a suction pipe with a larger diameter (but never smaller than 1"1/4 for the single pump, larger sections for groups).</li> <li>2. Check the suction pipe, find the cause of choking (obstruction, dry bend, counterslope, ...) and remove it.</li> <li>3. Dismantle the system and remove the obstructions (assistance service).</li> </ol>
The pump starts without utility request.	Red: off White: on Blue: off	<ol style="list-style-type: none"> <li>1. Leak in the system.</li> <li>2. Faulty non-return valve.</li> </ol>	<ol style="list-style-type: none"> <li>1. Check the system, find and eliminate the leak.</li> <li>2. Service the non-return valve as described in paragraph 12.3.</li> </ol>
The water pressure when turning on the utility is not immediate.	Red: off White: on Blue: off	Expansion vessel empty (insufficient air pressure) or has broken diaphragm.	Check the air pressure through the valve in the technical compartment. If water comes out when checking, the vessel is broken: assistance service. Otherwise restore the air pressure according to the equation (par. 1.4).
When the utility is turned on the flow falls to zero before the pump starts.	Red: off White: on Blue: off	Air pressure in the expansion vessel higher than the system starting pressure.	Calibrate the expansion vessel pressure or configure the parameters SP and/or RP so as to satisfy the equation (par. 1.4).
The display shows BL	Red: on White: on Blue: off	<ol style="list-style-type: none"> <li>1. No water.</li> <li>2. Pump not primed.</li> <li>3. Setpoint not reachable with the set RM value</li> </ol>	<ol style="list-style-type: none"> <li>1-2 Prime the pump and check whether there is air in the pipe. Check whether the suction or any filters are blocked.</li> <li>3. Set a RM value that allows the setpoint to be reached.</li> </ol>
The display shows BP1	Red: on White: on Blue: off	1. Faulty pressure sensor.	1. Contact the assistance centre.
The display shows OC	Red: on White: on Blue: off	<ol style="list-style-type: none"> <li>1. Excessive absorption.</li> <li>2. Pump blocked.</li> </ol>	<ol style="list-style-type: none"> <li>1. Fluid too dense. Do not use the pump for fluids other than water.</li> <li>2. Contact the assistance centre.</li> </ol>
The display shows PB	Red: on White: on Blue: off	<ol style="list-style-type: none"> <li>1. Supply voltage too low.</li> <li>2. Excessive drop in voltage on the line.</li> </ol>	<ol style="list-style-type: none"> <li>1. Check the presence of the correct supply voltage.</li> <li>2. Check the section of the power supply cables.</li> </ol>
The display shows: Press ^ to propagate this config	Red: off White: on Blue: off	One or more devices have sensitive parameters not aligned.	Press the ^ key on the device which we are sure has the most recent and correct configuration of the parameters.

Table 14 Solving typical problems

## SOMMAIRE

<b>1. CONSIDÉRATIONS GÉNÉRALES</b> .....	72
1.1 Applications.....	72
1.2 Électropompe intégrée.....	72
1.3 Onduleur Intégré.....	73
1.4 Vase d'expansion intégré.....	73
1.5 Caractéristiques techniques.....	74
<b>2. LIQUIDES POMPABLES</b> .....	74
<b>3. INSTALLATION</b> .....	75
<b>4. PROCÉDURE DE FIXATION DE LA POMPE À LA BASE DU DOCK</b> .....	75
<b>5. RACCORDEMENTS HYDRAULIQUES</b> .....	77
5.1 Opérations de chargement Installations sur niveau et sous niveau.....	78
5.2 Pression d'aspiration maximale (pompe au-dessous du niveau de l'eau).....	79
5.3 Systèmes en reprise.....	79
<b>6. MISE EN ROUTE</b> .....	79
6.1 Branchement électriques.....	79
6.2 Configuration de l'inverseur intégré.....	80
6.3 Démarrage.....	80
<b>7. LE CLAVIER DE L'ÉCRAN</b> .....	80
7.1 Accès direct avec combinaison de touches.....	81
7.2 Accès par nom à l'aide du menu déroulant.....	83
7.3 Structure des pages de menu.....	84
7.4 Blocage paramètres par mot de passe.....	85
7.5 Habilitation et désactivation du moteur.....	85
<b>8. SIGNIFICATION DES DIFFÉRENTS PARAMÈTRES</b> .....	85
8.1 Menu Utilisateur.....	85
8.2 Menu Écran.....	87
8.3 Menu de Paramétrage.....	87
8.4 Menu Manuel.....	87
8.5 Menu Installateur.....	88
8.6 Menu Assistance technique.....	90
<b>9. REMISE À ZÉRO ET PARAMÉTRAGES DU CONSTRUCTEUR</b> .....	93
9.1 Remise à zéro générale du système.....	93
9.2 Paramètres du constructeur.....	93
9.3 Rétablissement des paramètres du constructeur.....	93
<b>10. SYSTÈMES DE PROTECTION</b> .....	94
10.1 Description des blocages.....	95
10.2 Remise à zéro manuelle des conditions d'erreur.....	96
10.3 Remise à zéro automatique des conditions d'erreur.....	96
<b>11. INSTALLATIONS SPÉCIALES</b> .....	96
11.1 Groupes multiples.....	96
<b>12. APP, DCONNECT CLOUD ET MISE À JOUR DU LOGICIEL</b> .....	99
12.1 Configuration système requise.....	99
12.2 Mise à jour du logiciel.....	99
12.3 DSYNC.....	102
<b>13. ENTRETIEN</b> .....	103
13.1 Outil accessoire.....	103
13.2 Vidange du système.....	103
13.3 Clapet de non-retour.....	103
13.4 Arbre moteur.....	104
13.5 Vase d'expansion.....	104
<b>14. RÉOLUTION DES PROBLÈMES</b> .....	105

## LÉGENDE

Les symboles suivants sont employés dans le présent document:



### SITUATION DE DANGER GÉNÉRIQUE.

Le non-respect des prescriptions suivantes peut provoquer des blessures aux personnes et des dommages aux choses.



### DANGER D'ÉLECTROCUTION.

Le non-respect des prescriptions suivantes peut provoquer des blessures aux personnes et des dommages aux choses.



Remarques.

## 1. CONSIDÉRATIONS GÉNÉRALES

Le produit est un système intégré composé d'une électropompe centrifuge verticale de type multicellulaire, d'un circuit électronique qui la commande et d'un vase d'expansion. La pompe dispose également de systèmes de connexion Wi-Fi et Bluetooth pour le contrôle à distance via DConnect Cloud et pour une meilleure expérience utilisateur avec les appareils mobiles via l'application dédiée, voir chapitre 12. L'APP et le DConnect Cloud permettent également d'utiliser des fonctions supplémentaires qui ne sont pas présentes directement sur l'écran (par exemple : compteurs d'énergie et de flux).

### 1.1 Applications

Elles sont indiquées pour réaliser des groupes de pressurisation pour des installations hydrauliques de petits, moyens et grands réseaux. Elles peuvent être utilisées dans divers domaines, tels que:

- Installations de lavage
- Approvisionnement en eau potable et fournitures pour autoclaves
- Fourniture de chaudières
- Systèmes d'irrigation
- Systèmes de circulation et procédés industriels
- Autres systèmes de pressurisation

Une autre caractéristique importante de cette pompe est la possibilité d'un fonctionnement en reprise avec une pression d'entrée maximale de 5,0 bars.

### 1.2 Électropompe intégrée

Le système comprend une électropompe centrifuge à rotors multiples, actionnée par un moteur électrique triphasé refroidi à l'eau. Le refroidissement du moteur à l'eau, non pas à l'air, assure un niveau de bruit inférieur du système et permet de le placer dans un environnement non aéré.

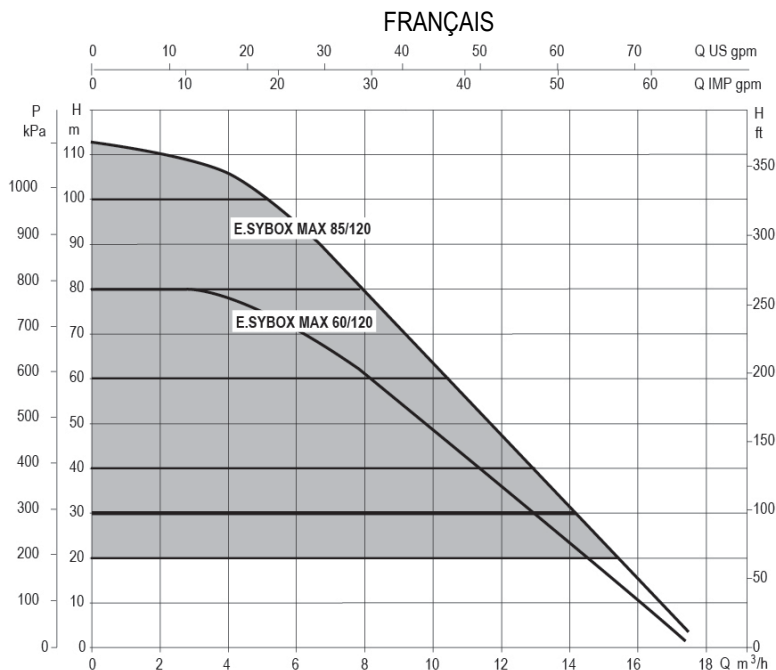


Figure 1

### 1.3 Onduleur Intégré

La commande électronique intégrée au système est de type Onduleur et utilise deux capteurs de pression (un en aspiration et un en refoulement) et de température.

Au moyen de ces capteurs, le système s'allume et s'éteint automatiquement en fonction des besoins de l'utilisateur, en maintenant la pression de refoulement constante.

Le système est configuré par le constructeur de telle manière qu'il réponde à la plupart des cas d'installation, c'est-à-dire:

- Fonctionnement à pression constante;
- Point de paramétrage (valeur de la pression constante voulue):  $SP = 3,0$  bar
- Réduction de la pression pour le redémarrage:  $RP = 0,3$  bar
- Fonction Anti-cycling: Désactivée

Les chapitres 8-9-10 illustrent toutes les valeurs qui peuvent être réglées : pression, déclenchement des protections, vitesse de rotation, etc

### 1.4 Vase d'expansion intégré

Le système comprend un vase d'expansion intégré d'une capacité totale de 2 litres. Les principales fonctions du vase d'expansion sont les suivantes:

Il ne revient pas au vase d'expansion intégré d'assurer une réserve d'eau suffisante pour réduire les interventions du système (requis par les utilisateurs,

non pas suite à des fuites de l'installation). Il est possible d'ajouter au système un vase d'expansion de la capacité voulue en le raccordant à un point du circuit de distribution (non pas d'aspiration !).

Le vase d'expansion est préchargé selon le rapport suivant:

Pair =  $SP - RP - 0.2$  bar      Où :

- Pair = valeur de la pression de l'air en bar
- SP = point de paramétrage (7.3) en bar
- RP = réduction de la pression pour le redémarrage (7.5.1) en bar

Ainsi, à la sortie des ateliers du constructeur:      Pair =  $3 - 0.2 - 0.3 = 2.5$

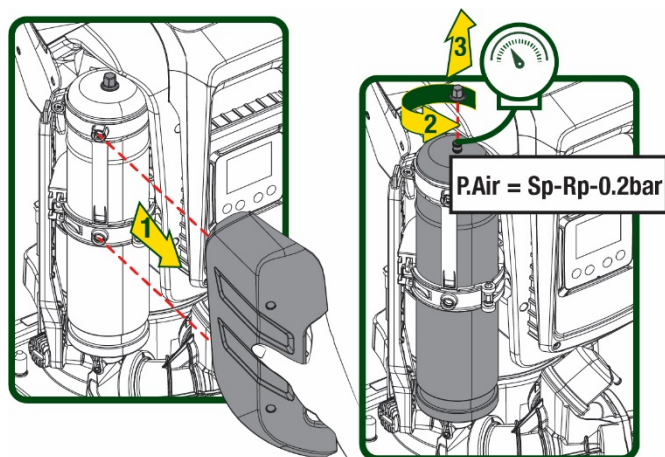


Figure 2

Si des valeurs différentes sont sélectionnées pour les paramètres SP et/ou RP, intervenir sur la vanne du vase d'expansion en libérant ou introduisant de l'air jusqu'à satisfaire à nouveau la formule ci-dessus.

## 1.5 Caractéristiques techniques

Sujet	Paramètre		ESYBOX MAX 60/120M	ESYBOX MAX 60/120T	ESYBOX MAX 85/120T
ALIMENTATION ÉLECTRIQUE	Tension		208-240	380/480	380/480
	Phases		1	3	3
	Fréquence		50/60		
	Courant maximal		11,8 A	4,2 A	5,5 A
	Puissance maximale		2,68 KW	2,65 KW	3,5 KW
	Courant de fuite vers la terre		<2 mA	<4 mA	<4 mA
CARACTÉRISTIQUES CONSTRUCTIVES	Encombrement		766x375x384		
	Poids à vide (sans emballage)	PUMP	29	29	30
		ESYDOCK	9		
		2 ESYDOCK	18		
		3 ESYDOCK	27		
	Classe de protection		IPX5		
Classe d'isolation du moteur		F			
CARACTÉRISTIQUES HYDRAULIQUES	Prévalence maximale		7,7bar	7,7bar	10bar
	Pression maximale en aspiration		5 bar		
	Pression d'exercice maximale (PN)		12 bar		
	Débit maximal		300 l/min		
CONDITIONS D'EXERCICE	Température max du liquide		50°C		
	Température ambiante max		55°C		
	Température ambiante du dépôt		-10÷60 °C		
FONCTIONNALITÉS ET PROTECTIONS	Pression constante				
	Communication sans fil				
	Communication Wi-Fi et Bluetooth (APP et DConnect Cloud)				
	Protection contre la marche à sec				
	Protection antigel				
	Protection anti-cycling				
	Protection ampèremétrique vers le moteur				
	Protection contre les tensions d'alimentation anormales				
Protections contre la surchauffe					

Tableau1

## 2. LIQUIDES POMPABLES



La machine est conçue et construite pour pomper de l'eau, exempte de substances explosives et de particules solides ou de fibres, d'une densité de 1000 Kg/m<sup>3</sup> et dont la viscosité cinématique est de 1mm<sup>2</sup>/s, ainsi que des liquides qui ne sont pas agressifs du point de vue chimique.



Le système ne peut pas être utilisé pour pomper de l'eau salée, du lisier, des liquides inflammables, corrosifs ou explosifs (par ex. pétrole, essence, diluants), des graisses, des huiles ou produits alimentaires.



Le système est adapté au traitement de l'eau potable.

### 3. INSTALLATION



Les pompes peuvent contenir des petites quantités d'eau résiduelle provenant des essais de fonctionnement



L'électropompe a un indice de protection IPX5 et peut être installée dans des environnements poussiéreux sans mesures de protection spéciales contre les intempéries.



Le système est conçu pour pouvoir travailler dans des environnements dont la température est comprise entre 0°C et 55°C (sauf pour assurer l'alimentation électrique : se reporter au parag. 8.6.14 « fonction antigel »).



Si le système est utilisé pour l'alimentation hydrique domestique, respecter les normes locales émises par les autorités responsables de la gestion des ressources hydriques.



Lors du choix du lieu d'installation, vérifier que:

- la tension et la fréquence reportées sur la plaquette technique de la pompe correspondent aux données de l'installation électrique d'alimentation.
- le branchement électrique se situe dans un lieu sec, à l'abri des inondations éventuelles.
- le système électrique est doté d'un interrupteur différentiel de  $I_{\Delta n} \leq 30 \text{ mA}$  et la mise à la terre est efficace.



La pompe doit être installée en position verticale.



La pompe n'est pas auto-amorçante. Elle est adaptée pour l'aspiration des réservoirs ou connectée à l'aqueduc en reprise lorsque cela est possible conformément aux réglementations locales.

### 4. PROCÉDURE DE FIXATION DE LA POMPE À LA BASE DU DOCK

1. Utilisez la possibilité de régler la hauteur des pieds pour compenser toute irrégularité de la surface d'appui.

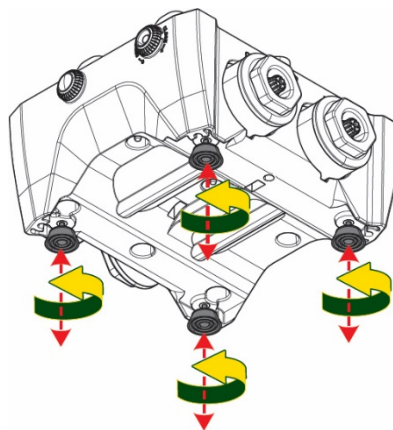


Figure 3



2. Pour fixer la pompe au sol, utilisez les fentes appropriées sur la base.

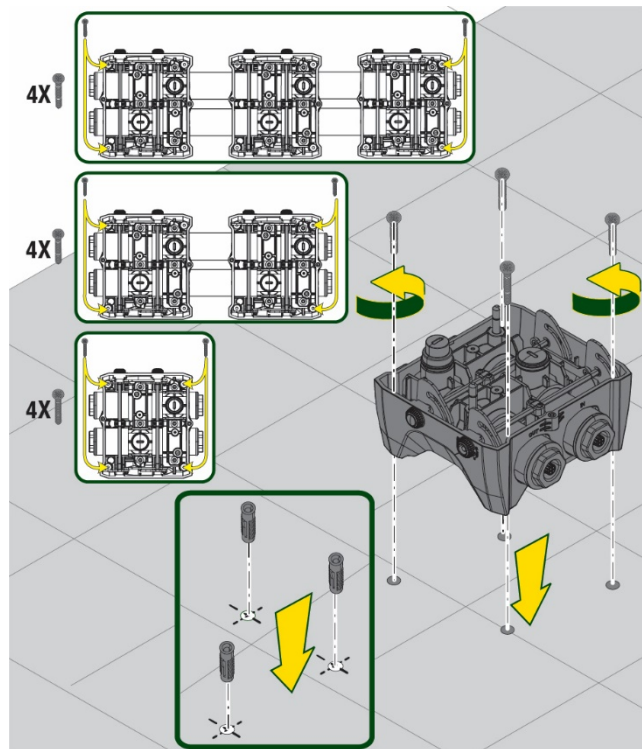


Figure 4

3. Ouvrez les bouchons avec la clé spéciale fournie et placez-les dans le compartiment technique.  
 À l'aide de la graisse fournie, lubrifiez les joint toriques situés sur les collecteurs de refoulement et d'aspiration.  
 Descendez la pompe sur la base dock en centrant les broches de fixation.

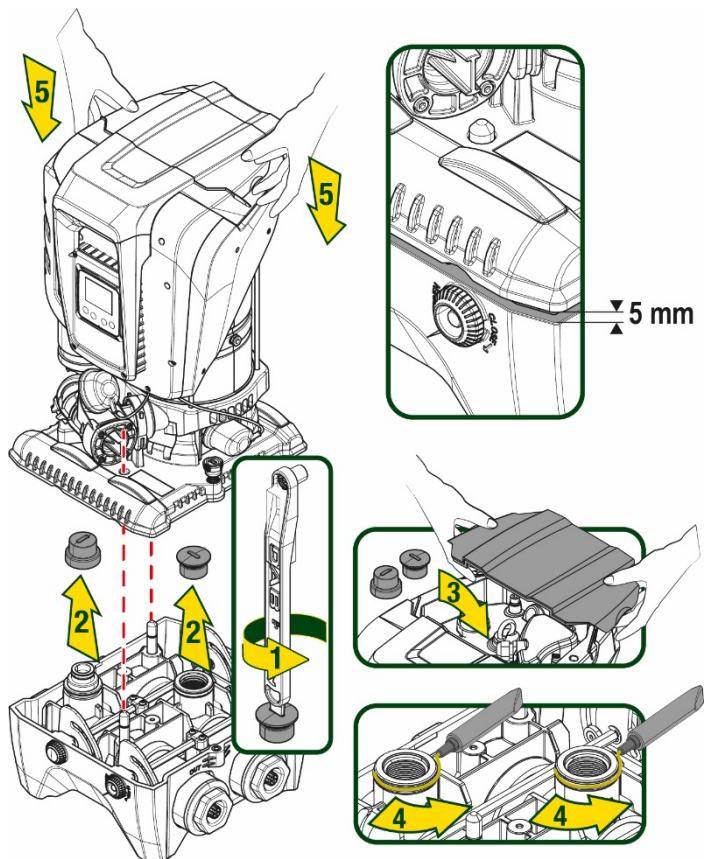


Figure 5

- Fixez la pompe à la base dock à l'aide de la clé fournie. Pour vous assurer que la fixation est réussie, vérifiez que la bague verte des broches de centrage est visible.  
Après utilisation, remplacez la clé sur les crochets spéciaux de la pompe. Si la clé est perdue ou cassée, elle peut facilement être remplacée par une clé à douille de 10 mm (13/32 pouces).

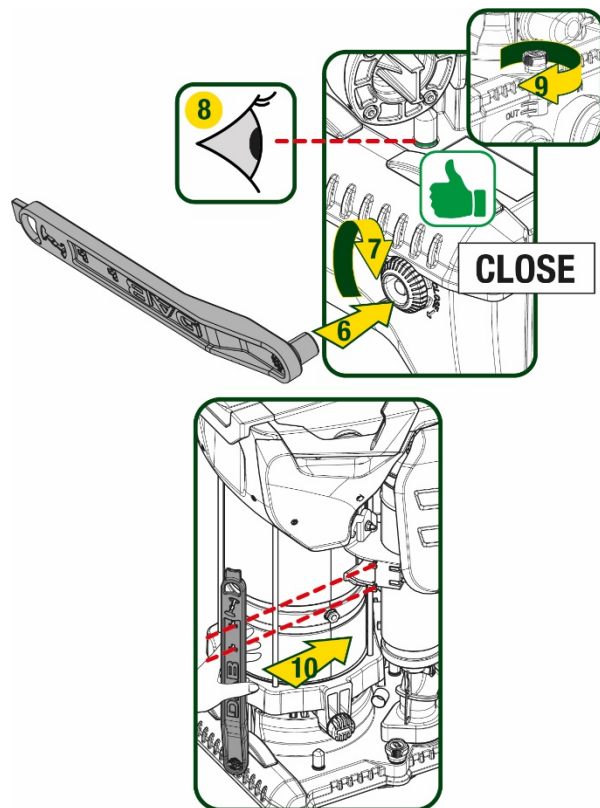


Figure 6

## 5. RACCORDEMENTS HYDRAULIQUES

Les raccords au système hydraulique sont toutes femelles de 2", avec la possibilité d'être réduites à 1"1/4 femelle avec des adaptateurs fournis pour la seule base dock uniquement.

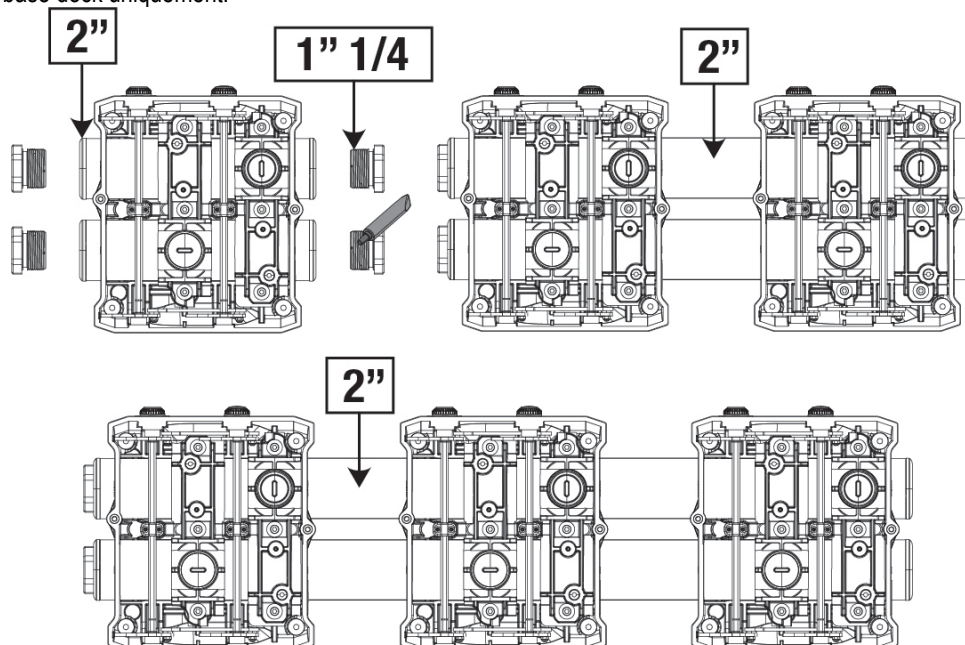


Figure 7

Quatre configurations sont possibles, comme le montre la figure 8.

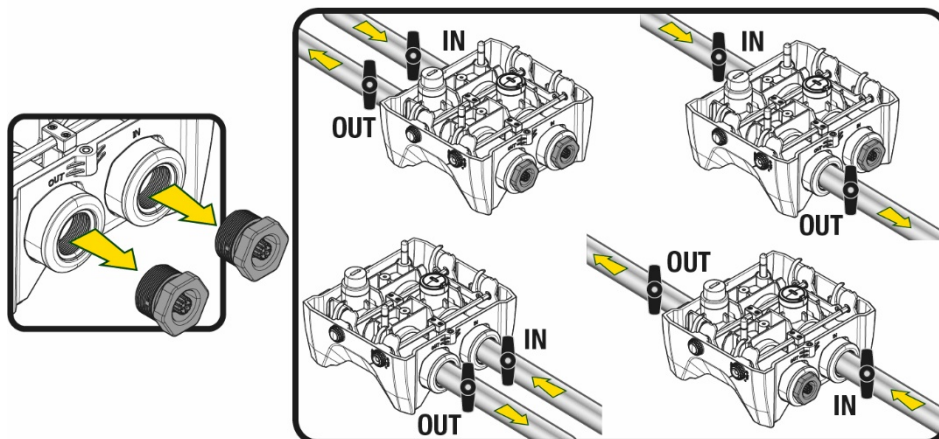


Figure 8



Si l'installation du système est de type « au-dessus du niveau de l'eau », il est recommandé de prévoir un clapet anti-retour comme clapet de pied (au début de la conduite d'aspiration) ; ceci afin de permettre l'opération de remplissage du système afin de remplir également l'ensemble de la conduite avant la mise en marche de la pompe (par. 5.1)



Si l'installation est « sur niveau », installer le conduit d'aspiration de la source d'eau à la pompe de manière ascendante, en évitant la formation de cols de cygnes ou de siphons.



Les conduits d'aspiration et de distribution doivent être montés de manière à n'exercer aucune pression mécanique sur la pompe.

### 5.1 Opérations de chargement Installations sur niveau et sous niveau

Installation « au-dessus du niveau de l'eau » (Fig. 9A) : accédez au compartiment technique et, à l'aide de la clé en option ou d'un tournevis, retirez le bouchon de remplissage. À travers la porte de remplissage, remplissez le système avec de l'eau propre, en veillant à laisser l'air sortir. Installation « au-dessous du niveau de l'eau » (figure 9B) : s'il n'y a pas de vannes d'arrêt (ou elles sont ouvertes) entre le dépôt d'eau et le système, ceci se charge automatiquement dès qu'il peut libérer l'air emprisonné. Ensuite, en desserrant le bouchon de remplissage juste assez pour évacuer l'air emprisonné (2,5 tours), vous permettez au système de se charger complètement. Resserrez le bouchon lorsque vous avez terminé l'opération.

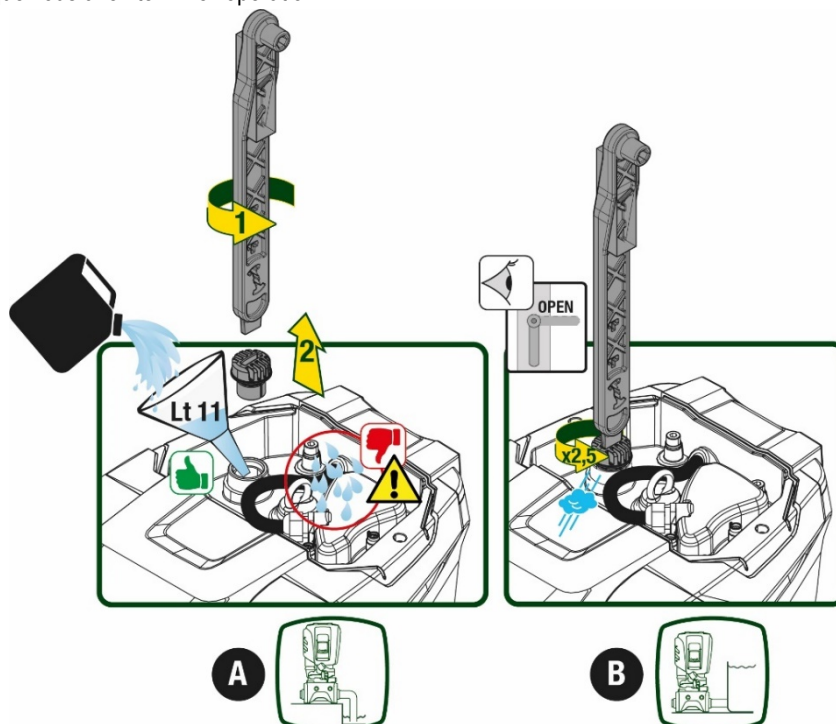


Figure 9



Essuyez toute eau résiduelle dans le compartiment technique.

## 5.2 Pression d'aspiration maximale (pompe au-dessous du niveau de l'eau)

Il est important que la pression d'entrée soit toujours inférieure à la pression de service maximale autorisée par la pompe, comme indiqué dans le tableau.

## 5.3 Systèmes en reprise

Chaque pompe, selon le modèle, est caractérisée par une pression de consigne maximale atteignable (sans que l'aspiration soit sous pression). L'utilisateur est autorisé à régler n'importe quelle pression de consigne (SP) à partir de 1,0 bar jusqu'à la pression maximale PN, atteignant ainsi des valeurs de pression supérieures à la pression maximale pouvant être atteinte par la pompe, afin de permettre une utilisation en reprise.

Le fonctionnement est le suivant :

- Si la pression de consigne SP est inférieure à la pression maximale que la pompe peut atteindre, le système ajustera à la pression de consigne ;
- si, par contre, la pression de consigne est supérieure à celle atteignable par la pompe, le point de consigne ne sera atteint que s'il y a l'aide d'une pression d'entrée.

Sur la base du point de consigne réglé et de la pression lue en aspiration, la pompe comprend si elle sera en mesure d'atteindre le point de consigne souhaité.

Si le point de consigne réglé n'est pas accessible en raison de la pression d'aspiration réduite, la pompe continuera à distribuer de l'eau à la pression qu'elle peut atteindre et affichera le symbole du manomètre clignotant sur la page principale.

## 6. MISE EN ROUTE

### 6.1 Branchement électriques

Pour améliorer l'immunité contre le bruit pouvant être émis vers les autres appareils, il est conseillé d'utiliser un chemin de câbles séparé pour l'alimentation du produit.



La tension de la ligne peut changer lorsque l'électropompe est mise en route. La tension de la ligne peut subir des variations en fonction des autres dispositifs qui y sont branchés et de la qualité de la ligne elle-même.



**Assurez-vous que la tension d'alimentation correspond à celle de la plaque du moteur.**



**Respectez strictement les schémas électriques ci-dessous :**

- **L-N-Terre, version monophasée**
- **U-V-W-Terre, version triphasée**

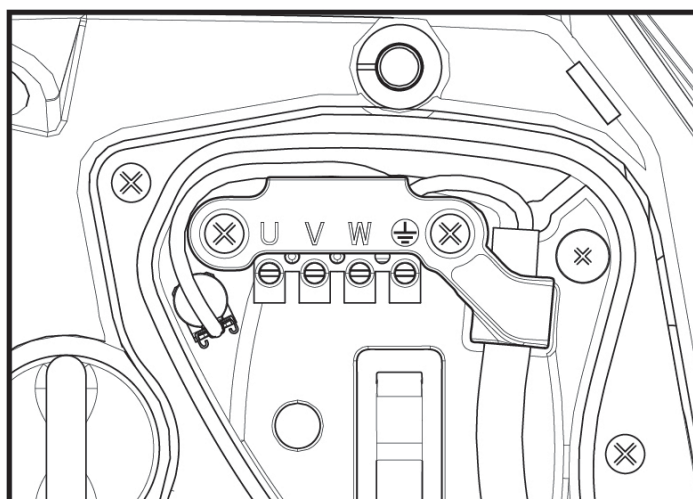


Figure 10

L'appareil doit être connecté à un interrupteur principal qui interrompt tous les pôles d'alimentation. Quand l'interrupteur se trouve en position ouverte, la distance de séparation entre chaque contact doit respecter ce qui est indiqué dans le tableau 2.

Le serre-câble, fourni avec la boîte à bornes, contraint le diamètre extérieur de la gaine du câble dans une plage comprise entre 7 et 13 mm. Le bornier Mammuth peut accueillir des câbles d'une section de conducteur jusqu'à 2.5 mm<sup>2</sup> (AWG14 pour les versions USA).

Distance minimale entre les contacts de l'interrupteur d'alimentation	
Distance minimale [mm]	>3

Tableau 2

## 6.2 Configuration de l'inverseur intégré

Le système est configuré par le constructeur de telle manière qu'il réponde à la plupart des cas d'installation, c'est-à-dire:

- funzionamento a pressione costante;
- Point de paramétrage (valeur de la pression constante voulue): SP = 3.0 bar
- Réduction de la pression pour le redémarrage: RP = 0.3 bar
- Fonction Anti-cycling: Désactivée

Cependant, tous ces paramètres peuvent être réglés par l'utilisateur (voir chapitre Paramètres Réglables)

Le système ne fonctionne pas si l'utilisateur se trouve à une hauteur supérieure à l'équivalent en mètres-colonne-eau de Pstart (considérer 1 bar = 10 m env.) : pour la configuration par défaut, si l'utilisateur se trouve à 27 m de haut au moins, le système ne démarre pas.

## 6.3 Démarrage

Pour le premier démarrage, suivez les étapes ci-dessous :

- Effectuez les connexions hydrauliques et électriques (sans alimentation électrique)
- Remplissez la pompe (par 5.1)
- Ouvrez un réseau de refoulement
- Fournissez l'alimentation électrique.
- Connectez-vous à la pompe via l'application pour effectuer la configuration assistée

Le système se met en marche et vérifie la présence d'eau de refoulement. S'il détecte un débit d'eau régulier, la pompe est amorcée et commence son travail de pressurisation.

### Fonctionnement

Lorsque l'électropompe est amorcée, le système commence son fonctionnement normal selon les paramètres configurés : il démarre automatiquement lorsque le robinet est ouvert, il fournit de l'eau à la pression établie (SP), il maintient la pression constante même si d'autres robinets sont ouverts, il s'arrête automatiquement après la période de temps T2 lorsque les conditions d'arrêt (T2 peut être paramétré par l'utilisateur, valeur du fabricant 10 sec) sont atteintes.

## 7. LE CLAVIER DE L'ÉCRAN

L'interface utilisateur se compose d'un clavier avec écran 2,8" et LED de signalisation POWER, COMM, ALARM comme le montre la Figure 11.

L'écran affiche les valeurs et les états du dispositif, en indiquant la fonctionnalité des différents paramètres.

Les fonctions des touches sont résumées dans le Tableau 3

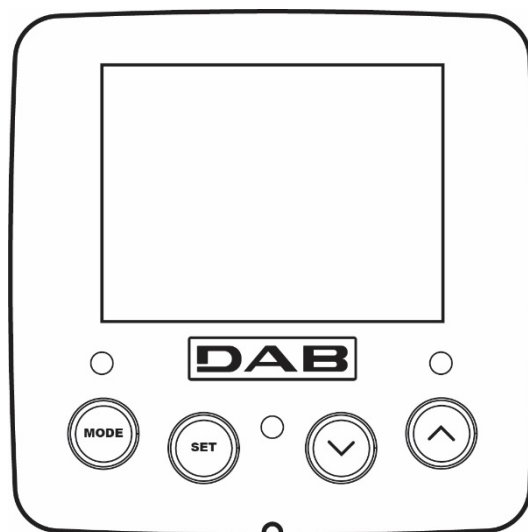


Figure 11





	La touche MODE permet de passer aux mentions suivantes du même menu. Une pression prolongée d'1 sec. au moins permet de passer à la mention précédente du menu.
	La touche SET permet de sortir du menu actuellement à l'écran.
	Diminue le paramètre actuel (si un paramètre peut être modifié).
	Augmente le paramètre actuel (si un paramètre peut être modifié).
LED BLANCHE ALIMENTATION	Allumée fixe : la machine est sous tension Clignotant : la machine est désactivée
LED ROUGE ALARME	Allumée fixe : la machine est bloquée par une erreur
LED BLEU COMMUNICATION	Allumée fixe : communication sans fil active Clignotement lent : communication sans fil indisponible en raison de problèmes Clignotement rapide : appairage avec d'autres appareils sans fil en cours

Tableau 3

Une pression prolongée sur la touche "▲" ou sur la touche "▼" permet d'augmenter/diminuer automatiquement le paramètre sélectionné. Après 3 secondes de pression de la touche "▲" ou de la touche "▼" la vitesse d'augmentation/diminution automatique augmente.



Lorsque la touche ▲ ou la touche ▼ sont appuyées, la valeur sélectionnée est modifiée et sauvegardée immédiatement dans la mémoire permanente (EEPROM). Si la machine est éteinte, même accidentellement, durant cette phase, le paramètre qui vient d'être réglé n'est pas perdu.

La touche SET sert uniquement à sortir du menu actuel, et elle n'est pas nécessaire pour sauvegarder les modifications apportées. Certaines valeurs ne sont appliquées lorsque « SET » et « MODE » sont appuyés que dans les cas spécifiques décrits au chapitre 0.

## Menu

La structure complète de tous les menus et de toutes les mentions qui les composent est présentée dans le Tableau 5.

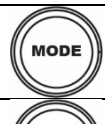
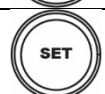

### Accès aux menus

Le menu principal permet d'accéder aux différents menus de deux manières:

- 1- Accès direct avec combinaison de touche
- 2- Accès par nom à l'aide du menu déroulant

#### 7.1 Accès direct avec combinaison de touches

L'utilisateur accède directement au menu voulu en appuyant simultanément sur la combinaison de touches pendant la durée indiquée (par exemple MODE SET pour entrer dans le menu Setpoint) et en faisant defiler les différentes mentions du menu à l'aide de la touche MODE. Le Tableau 4 illustre les menus accessibles par combinaisons de touches.

NOM DU MENU	TOUCHES D'ACCÈS DIRECT	TEMPS DE PRESSION
Utilisateur		Au relâchement du bouton
Écran	 	2 Sec

FRANÇAIS






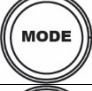
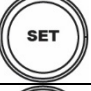

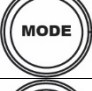
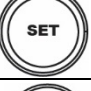

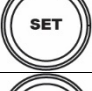
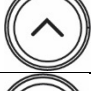




Point de paramétrage	 	2 Sec
Manuel	  	5 Sec
Installateur	  	5 Sec
Assistance technique	  	5 Sec
Remise à zéro des Valeurs du constructeur	 	2 Sec avant la mise en route de l'appareil
Remise à zéro	   	2 Sec

Tableau 4

Menu réduit (visible)			Menu étendu (accès direct ou mot de passe)			
Menu principal	Menu Utilisateur mode	Menu Afficheur réglage-moins	Menu Point de consigne mode-réglage	Menu Manuel réglage-moins-plus	Menu Installateur mode-réglage-moins	Menu Assistance Technique mode-réglage-plus
MAIN (page principale)	ÉTAT	BK Rétroéclairage	SP Pression de consigne	ÉTAT	RP Diminution de pression pour le redémarrage	TB Temps de blocage manque d'eau
Sélection de Menu	RS Tours par minute	TK Temps d'allumage de rétroéclairage		RI Réglage de la vitesse		T1 Retard basse pression
	VP Pression	LA Langue		VP Pression	AD Configuration adresse	T2 Retard d'arrêt
	VF Affichage du flux	TE Température dissipateur		VF Affichage du flux	MS Système de mesure	GP Gain proportionnel.
	PO Puissance délivrée à la pompe	BT Température Fiche		PO Puissance délivrée à la pompe	AS Appareils sans fil	GI Gain intégral
	C1 Courant de phase pompe			C1 Courant de phase pompe	PR Capteur de pression à distance	RM Vitesse maximale :
	TE Température dissipateur			RS Tours par minute	EK Fonction basse pression à l'aspiration	NA Appareils actifs
	Pin Pression à l'aspiration			TE Température dissipateur	PK Seuil de pression basse à l'aspiration	NC Appareils max simultanément
	Heures d'allumage Heures de travail Nombre de démarrages				RT Sens de rotation	\$IC Configuration dispositif
	PI Histogramme de puissance					ET Temps d'échange maximum

FRANÇAIS

	Système multi-pompe					AY Anti Cycling
	NT Informations sur le réseau					AE Antiblocage
	VE Informations HW et SW					AF Antigel
						RF Réinitialisation défaut et avertissement
						PW modifier le mot de passe
Légende						
Couleurs d'identification				Modification des paramètres dans les groupes multi-pompe		
				Ensemble de paramètres sensibles. La modification de l'un de ces derniers sur n'importe quel appareil implique un alignement automatique sur tous les autres appareils.		
				Paramètres qui peuvent s'aligner automatiquement dans tous les appareils à la demande de l'utilisateur. Il est toléré qu'ils diffèrent d'un appareil à l'autre.		
				Paramètres de réglage significatifs que localement.		
				Paramètres en lecture seule.		

Tabella 5

## 7.2 Accès par nom à l'aide du menu déroulant

Vous accédez à la sélection des différents menus en fonction de leur nom. Depuis le menu principal, accédez à la sélection de menu en appuyant sur l'un des boutons ^ ou v.

Une fois que vous êtes sur le menu qui vous intéresse, vous pouvez y accéder en appuyant sur MODE.

Les éléments du MENU disponibles sont : PRINCIPAL, UTILISATEUR, AFFICHEUR et ÉTENDU.

Pour accéder au menu étendu, il faut la clé d'accès qui coïncide avec la combinaison de boutons indiquée dans le tableau 4.

L'ordre des menus est : Utilisateur, Afficheur, Point de consigne, Manuel, Installateur, Assistance Technique.

Les menus ouverts restent disponibles pendant 15 minutes ou jusqu'à ce qu'ils soient désactivés manuellement à l'aide de l'élément « Masquer les menus avancés ».

La figure 13 montre un schéma du fonctionnement de sélection des menus.

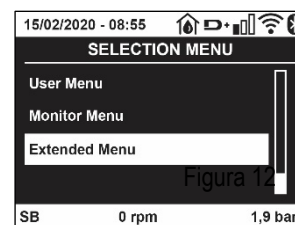


Figure 12



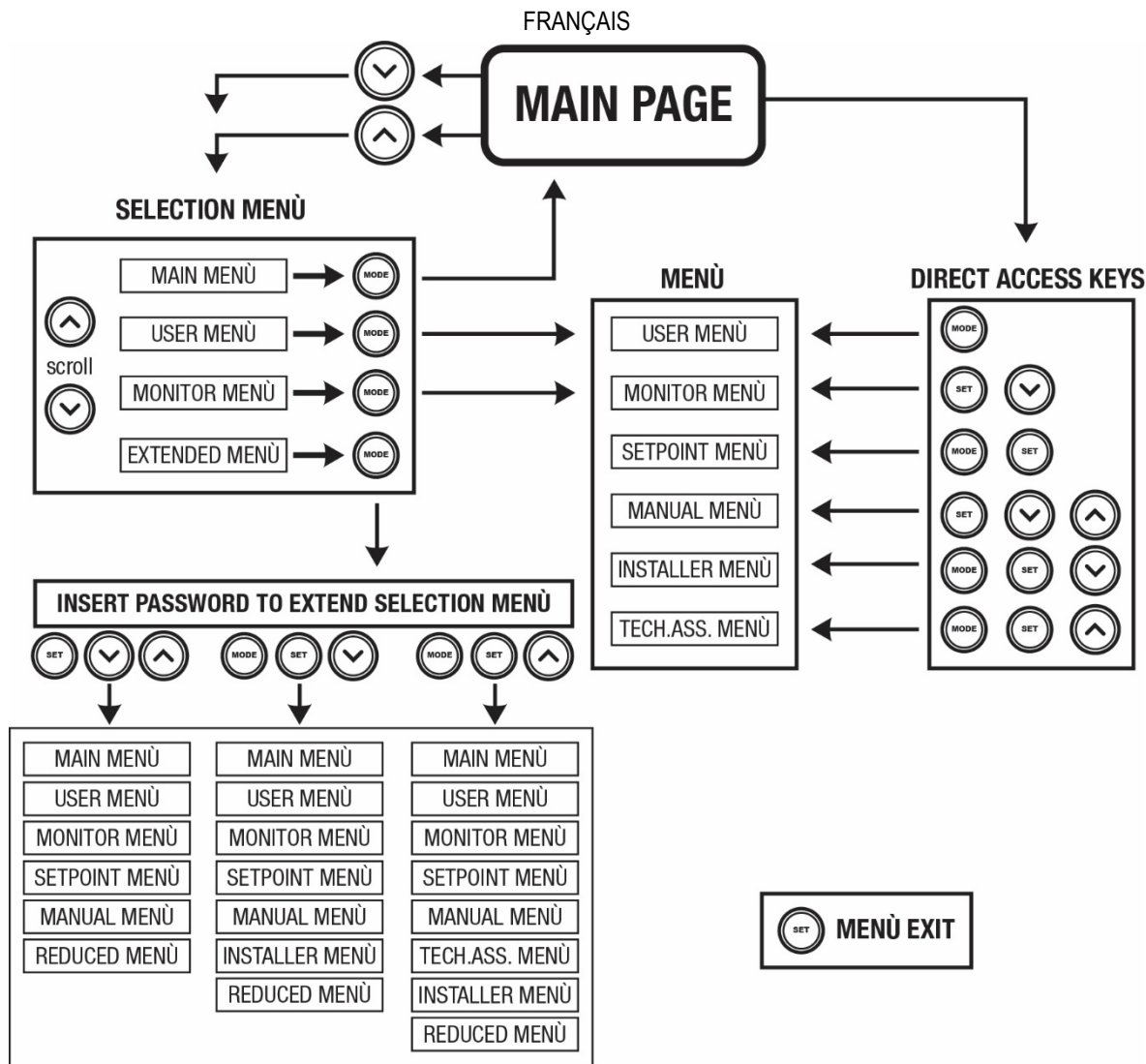


Figure13 Schéma des accès possibles au menu

### 7.3 Structure des pages de menu

La page principale comprend toujours

État: état de fonctionnement (par ex. veille, go, panne, fonctions entrées)

Tours moteur: valeur en [rpm]

Pression: valeur en [bar] ou [psi] en fonction de l'unité de mesure paramétrée.

Puissance: valeur en [kW] de la puissance absorbée par le dispositif.

État/alimentation Wi-Fi et Bluetooth via les icônes correspondantes

Connexion entre le téléphone et la pompe disponible indiquée par le symbole de la maison avec une goutte

Si l'événement a lieu, les mentions suivantes peuvent s'afficher:

Indications de panne

Indications d'avertissement

Indication des fonctions associées aux entrées

Icônes spécifiques

Les conditions d'erreur sont indiquées dans le Tableau 6 voir chap. 10 SYSTÈMES DE PROTECTION.

Conditions d'erreur et d'état affichées sur la page principale	
Identifiant	Description
GO	Moteur en marche
SB	Moteur arrêté
DIS	État moteur désactivé manuellement
F1	État/Alarme Fonction flotteur

## FRANÇAIS

F3	État/Alarme Fonction désactivation du système
F4	État/Alarme Fonction signal de basse pression
P1	État de fonctionnement avec point de paramétrage auxiliaire 1
P2	État de fonctionnement avec point de paramétrage auxiliaire 2
P3	État de fonctionnement avec point de paramétrage auxiliaire 3
P4	État de fonctionnement avec point de paramétrage auxiliaire 4
Icône com. avec numéro	État de fonctionnement en communication à système à pompes multiples avec l'adresse indiquée
Icône com. avec E	État d'erreur de la communication dans le système à système à pompes multiples
EE	Écriture et relecture sur EE des paramètres du fabricant
AVERT. Tension faible	Avertissement de manque de tension d'alimentation

Tableau 6 Messages d'état et erreur sur la page principale

Les autres pages des menus varient selon les fonctions associées et sont décrites ci-après par type d'indication ou de paramétrage. Dans tous les menus de la partie inférieure de la page se trouve la barre d'état avec les principaux paramètres de fonctionnement (état, vitesse et pression).

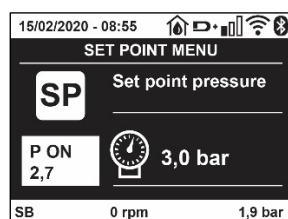


Figura 14 Paramètres du menu

Indications dans la barre d'état au bas de chaque page	
Identifiant	Description
GO	Moteur en marche
SB	Moteur arrêté
Disabilitato	État moteur désactivé manuellement
rpm	Tours/min du moteur
bar	Pression de l'installation
FAULT	Présence d'une erreur qui empêche de piloter l'électropompe

Tableau 7 Indications dans la barre d'état

### 7.4 Blocage paramètres par mot de passe

Le dispositif comprend un système de protection par mot de passe. Si un mot de passe est prévu, les paramètres du dispositif seront accessibles et visibles, mais ils ne pourront pas être modifiés.

Le système de gestion du mot de passe se trouve dans le menu « assistenza tecnica » (assistance technique) et est géré à l'aide du paramètre PW.

### 7.5 Habilitation et désactivation du moteur

Dans des conditions de fonctionnement normal, la pression et le relâchement des touches "A" et "V" comporte le blocage/déblocage du moteur (également mémorisé suite à l'arrêt). Si une panne de l'alarme est présente, cette opération remet également l'alarme à zéro. Lorsque le moteur est désactivé, cet état est indiqué par le DEL blanc clignotant. Cette commande peut être activée à partir de toutes les pages du menu, sauf RF et PW.

## 8. SIGNIFICATION DES DIFFÉRENTS PARAMÈTRES

### 8.1 Menu Utilisateur

Depuis le menu principal, appuyer sur la touche MODE (ou utiliser le menu de sélection, puis appuyer sur ^ ou v), pour accéder au MENU UTILISATEUR.

Dans le menu, la touche MODE permet de faire défiler les différentes pages du menu. Les valeurs affichées sont les suivantes.

#### 8.1.1 État

Affiche l'état de la pompe.

#### 8.1.2 RS: Affiche l'état de la pompe

Vitesse de rotation du moteur, en rpm.

**8.1.3 VP: Affichage de la pression**

Pression de l'installation mesurée en [bar] ou [psi] en fonction de l'unité de mesure paramétrée.

**8.1.4 VF: Affichage du flux**

Affiche le flux instantané en [litres/min] ou [gal/min], selon l'unité de mesure paramétrée.

**8.1.5 PO: Affichage de la puissance absorbée**

Puissance absorbée par l'électropompe en [kW].

Sous le symbole de puissance mesurée PO, un symbole circulaire clignotant peut apparaître. Ce symbole indique la pré-alarme de dépassement de la puissance maximum autorisée.

**8.1.6 C1: Affichage du courant de phase**

Courant de phase du moteur en [A].

Sous le symbole de courant de phase C1, un symbole circulaire clignotant peut apparaître. Ce symbole indique la pré-alarme de dépassement du courant maximum autorisé. Si le symbole clignote régulièrement, cela entend que la protection contre le courant excessif du moteur entre en fonction et que la protection sera probablement activée.

**8.1.7 TE: Température du dissipateur**

Affichage de la température du dissipateur

**8.1.8 Pin: Pression à l'aspiration**

Pression mesurée à l'aspiration exprimée en [bars] ou [psi] selon le système de mesure utilisé.

**8.1.9 Heures de fonctionnement et nombre de démarrages**

Cette valeur indique, sur trois lignes, le nombre d'heures d'alimentation électrique du dispositif, les heures de travail de la pompe et le nombre d'allumages du moteur.

**8.1.10 PI: Histogramme de la puissance**

Affiche un histogramme de la puissance distribuée sur 5 barres verticales. L'histogramme indique le temps durant lequel la pompe a été allumée et un niveau de puissance donné. L'axe horizontal comprend les barres à différents niveaux de puissance ; l'axe vertical représente le temps durant lequel la pompe a été allumée au niveau de puissance spécifique (% de temps par rapport au total).

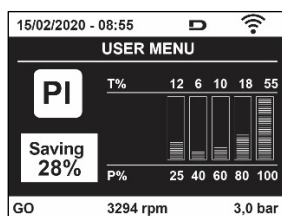


Figure 15 Affichage de l'histogramme de puissance

**8.1.11 Système à pompes multiples**

Il affiche l'état du système en présence d'une installation à système à pompes multiples. Si la communication n'est pas présente, une icône illustrant la communication absente ou interrompue est affichée. Si plusieurs dispositifs reliés entre eux sont présents, une icône pour chacun d'eux est affichée. L'icône reporte le symbole d'une pompe, et sous celle-ci des caractères d'état de la pompe sont affichés.

Selon l'état de fonctionnement, les indications illustrées au Tableau 8 sont présentes.

Affichage du système		
État	Icône	Information d'état sous l'icône
Moteur en marche	Symbole de la pompe qui tourne	Vitesse activée sur trois chiffres
Moteur arrêté	Symbole de la pompe statique	SB
Dispositif en panne	Symbole de la pompe statique	F

Tableau 8 Affichage du système à pompes multiples

Si le dispositif est configuré comme réserve, l'icône représentant la pompe est de couleur foncée, l'affichage reste identique au Tableau 5 avec l'exception que, en cas de moteur à l'arrêt, la lettre F s'affiche à la place de SB.

**8.1.12 NT: Affichage des configurations de réseau**

Informations sur les connexions de réseau et sur le numéro de série pour la connectivité. Le numéro de série pour la connectivité peut être affiché en entier en appuyant sur le bouton « ^ »

**8.1.13 VE: Affichage de la version**

Informations sur la version du matériel, le numéro de série et l'adresse MAC de la pompe.

**8.1.14 FF: Affichage pannes et avertissements (historique)**

Affichage chronologique des pannes qui sont survenues durant le fonctionnement du système.

Sous le symbole FF figurent deux chiffres, x/y, qui indiquent respectivement par x la panne affichée et par y le nombre total de pannes présentes; à droite de ces chiffres figure une indication sur le type de défaut affiché. Les touches ^ et √ font défiler la liste des pannes ; appuyer sur √ pour remonter l'historique jusqu'à la panne la plus ancienne enregistrée, appuyer sur ^ pour avancer dans l'historique jusqu'à la plus récente.

Les pannes sont affichées en ordre chronologique, à partir de celle qui s'est affichée il y a le plus longtemps x=1 à la plus récente x=y. Pour chaque erreur, la date et l'heure auxquelles elle s'est produite sont également affichées. Le nombre maximum de pannes affichables est 8: arrivé à ce chiffre, les plus anciennes commencent à être écrasées. Cette mention du menu affiche la liste des pannes mais ne permet pas de les remettre à zéro. La remise à zéro ne peut être faite qu'à l'aide de la commande de la mention RF du MENU ASSISTANCE TECHNIQUE.

Ni une remise à zéro manuelle, ni un arrêt de l'appareil, ni une remise à zéro des valeurs du constructeur n'effacent l'historique des pannes. Seule la procédure décrite ci-dessus permet d'effectuer cette opération.

**8.2 Menu Écran**

Pour accéder au MENU MONITEUR, à partir du menu principal, garder appuyés simultanément pendant 2 sec les touches "SET" et "√", (moins) ou à l'aide du menu de sélection appuyer sur ^ ou √. Dans le menu, appuyer sur la touche MODE pour afficher en séquence les valeurs suivantes.

**8.2.1 BK: Luminosité de l'écran**

Ajuste le rétroéclairage de l'écran sur une échelle de 0 à 100.

**8.2.2 TK: Temps d'allumage du rétroéclairage**

Définit l'heure à laquelle le rétroéclairage s'allume à partir de la dernière pression sur un bouton. Valeurs autorisées : de 20 s à 10 min ou « toujours activé ». Lorsque le rétroéclairage est éteint, la première pression sur n'importe quel bouton a pour seul effet de restaurer le rétroéclairage.

**8.2.3 LA : Langue**

Affichage de l'une des langues suivantes :

- Italien
- Anglais
- Français
- Allemand
- Espagnol
- Hollandais
- Suédois
- Turc
- Slovaque
- Roumain
- Russe
- Thaï
- Portugais

**8.2.4 TE : Affichage de la température du dissipateur****8.3 Menu de Paramétrage**

Depuis le menu principal, garder appuyées simultanément les touches "MODE" et "SET" jusqu'à ce que l'écran affiche "SP" (ou utiliser le menu de sélection en appuyant sur ^ ou √). Les touches ^ et √ permettent respectivement d'augmenter et de diminuer la pression de pressurisation de l'installation. Pour sortir du menu actuel et revenir au menu principal, appuyer sur SET.

**8.3.1 SP : Réglage de la pression de paramétrage**

Pression à laquelle le système est pressurisé : min 1,0 bar (14 psi) - max 12,0 bars (174 psi)

**8.4 Menu Manuel**

Depuis le menu principal, garder appuyées simultanément les touches "SET" & "∧" & "√" jusqu'à ce que la page du menu manuel s'affiche (ou utiliser le menu de sélection en appuyant sur ^ ou √). Le menu permet d'afficher et de modifier les différents paramètres de configuration : la touche MODE permet de faire défiler les pages du menu, les touches ^ et √ permettent respectivement d'augmenter et de diminuer la valeur du paramètre en objet. Pour sortir du menu actuel et revenir au menu principal, appuyer sur SET.

## FRANÇAIS

L'entrée dans le menu manuel en appuyant sur les touches SET ^ √ porte la machine en état de STOP forcé. Cette fonctionnalité peut être utilisée pour imposer l'arrêt à la machine. En modalité manuelle, quel que soit le paramètre affiché, il est toujours possible d'exécuter les commandes suivantes:

Démarrage temporaire de l'électropompe

La pression simultanée des touches MODE et ^ provoque le démarrage de la pompe à la vitesse RI et l'état de marche se poursuit tant que les touches restent appuyées. Quand la commande pompe ON ou pompe OFF est actionnée, la communication est donnée à l'écran.

*Démarrage de la pompe*

La pression simultanée des touches MODE √ ^ pendant 2 sec. provoque le démarrage de la pompe à la vitesse RI. L'état de marche reste activé jusqu'à ce que la touche SET soit appuyée. Par la suite, la pression de SET permet de sortir du menu manuel. Quand la commande pompe ON ou pompe OFF est actionnée, la communication est donnée à l'écran.

Si ce mode de fonctionnement se prolonge durant plus de 5' sans flux hydraulique, la machine se place en alarme pour surchauffe et signale l'erreur PH. Une fois l'erreur PH déclenchée, le réarmement peut uniquement s'effectuer en mode automatique. Le temps de réarmement est de 15'; en cas d'erreur PH déclenchée plus de 6 fois de suite, le temps de réarmement augmente à 1 h. Après réarmement, la pompe reste en stop jusqu'à son redémarrage au moyen des touches "MODE" "√" "^^".

### 8.4.1 État:

Affiche l'état de la pompe.

### 8.4.2 RI: Paramétrage vitesse

Règle la vitesse du moteur en rpm. Permet de forcer le nombre de tours à une valeur pré-établie.

### 8.4.3 VP: Affichage de la pression

Pression de l'installation mesurée en [bar] ou [psi] en fonction de l'unité de mesure paramétrée.

### 8.4.4 VF: Affichage du flux

Affiche le débit dans l'unité de mesure choisie. L'unité de mesure peut être [l/min] ou [gal/min], voir parag. 8.5.4 - MS : Système de mesurage.

### 8.4.5 PO: Affichage de la puissance absorbée

Puissance absorbée par l'électropompe en [kW]. Sous le symbole de puissance mesurée PO, un symbole circulaire clignotant peut apparaître. Ce symbole indique la pré-alarme de dépassement de la puissance maximum autorisée.

### 8.4.6 C1: Affichage du courant de phase

Courant de phase du moteur en [A].

Sous le symbole de courant de phase C1, un symbole circulaire clignotant peut apparaître. Ce symbole indique la pré-alarme de dépassement du courant maximum autorisé. Si le symbole clignote régulièrement, cela entend que la protection contre le courant excessif du moteur entre en fonction et que la protection sera probablement activée.

### 8.4.7 RS : Affichage de la vitesse de rotation

Vitesse de rotation du moteur, en rpm.

### 8.4.8 TE: Affichage de la température du dissipateur

## 8.5 Menu Installateur

Depuis le menu principal, garder appuyées simultanément les touches "MODE" & "SET" & "√" jusqu'à ce que le premier paramètre du menu installateur s'affiche à l'écran (ou utiliser le menu de sélection en appuyant sur ^ ou √).

Le menu permet d'afficher et de modifier les différents paramètres de configuration : la touche MODE permet de faire défiler les pages du menu, les touches ^ et √ permettent respectivement d'augmenter et de diminuer la valeur du paramètre en objet. Pour sortir du menu actuel et revenir au menu principal, appuyer sur SET.

### 8.5.1 RP: Paramétrage de la diminution de pression pour redémarrage

Exprime la diminution de pression par rapport à la valeur de SP qui lance le redémarrage de la pompe.

Par exemple, si la pression de paramétrage est de 3,0 [bar] et que RP est de 0,3 [bar] le redémarrage se fait à 2,7 [bar] RP peut être paramétré d'un minimum de 0,1 à un maximum de 1 [bar]. Dans certaines conditions particulières (par exemple lors d'un point de paramétrage inférieur au RP), il peut être limité automatiquement. Pour faciliter les opérations de l'utilisateur, la page de paramétrage de RP affiche également, en la surlignant sous le symbole RP, la pression effective de redémarrage, comme indiqué à la Figure 16.

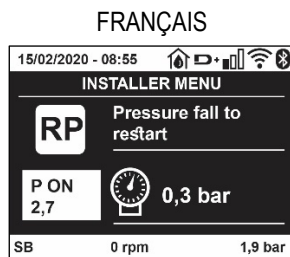


Figura 16 Réglage de la pression de redémarrage

### 8.5.2 OD: Type d'installation

Valeurs possibles de 1 et 2 pour une installation rigide et une installation élastique. À la sortie de l'atelier du constructeur, le dispositif est paramétré sur la modalité 1, qui est adaptée à la plupart des installations. Si la pression présente des oscillations qui ne peuvent pas être stabilisées à l'aide des paramètres GI et P, passer à la modalité 2.

**IMPORTANT:** Les valeurs des paramètres de réglage GP et GI changent dans les deux configurations. De plus, les valeurs de GP et GI paramétrées en modalité 1 sont contenues dans une mémoire différente de celles des valeurs de GP et GI paramétrées en modalité 2. Ainsi, lorsque l'on passe à la modalité 2, la valeur de GP de la modalité 1 est remplacée par la valeur de GP de la modalité 2, mais elle est conservée et revient quand on revient en modalité 1. Une même valeur affichée à l'écran a une importance différente dans les deux modalités, car l'algorithme de contrôle est différent.

### 8.5.3 AD: Configuration adresse

Elle sert uniquement si le système est doté d'une connexion à inverseurs multiples.

Elle donne l'adresse de communication à attribuer au dispositif. Les valeurs possibles sont les suivantes : automatique (par défaut) ou adresse attribuée manuellement. Les adresses attribuées manuellement peuvent avoir des valeurs de 1 à 4. La configuration des adresses doit être homogène pour tous les dispositifs qui composent le groupe : soit automatique pour tous, soit manuelle pour tous. La même adresse ne peut pas être attribuée plusieurs fois. Si des adresses mixtes sont attribuées (certaines manuelles et certaines automatiques), ou si des adresses sont répétées, une erreur est signalée. L'erreur est signalée en affichant un E clignotant à la place de l'adresse de la machine. Si l'attribution automatique est choisie, chaque fois que le système est allumé les adresses attribuées peuvent différer de celles de la fois précédente, mais cela ne modifie en rien le bon fonctionnement du système.

### 8.5.4 MS: Système de mesurage

Établit le système d'unité de mesure, international ou anglo-américain.

Les valeurs affichées figurent dans le Tableau 9.

**REMARQUE:** Le débit en unité de mesure anglo-américain (gal/ min) est indiqué en adoptant un facteur de conversion équivalant à un 1 gal = 4,0 litres, correspondant au gallon métrique.

Unités de mesure affichées		
Valeur	Unité de mesure Internationale	Unité de mesure anglo-américain
Pression	Bar	psi
Température	°C	°F
Flux	l/min	gal/min

Tableau 9 Système d'unité de mesure

### 8.5.5 AS: Association de dispositifs

Permet d'entrer en modalité connexion/déconnexion avec les dispositifs suivants:

- esy -> Autre pompe esybox max pour le fonctionnement en groupe de pompage formé de 4 éléments au maximum
- DEV -> Autres dispositifs compatibles éventuels

Dans la page AS s'affichent les icônes des différents dispositifs raccordés avec en-dessous un acronyme les identifiant et la puissance de réception correspondante.

Une icône allumée fixe indique que le dispositif branché fonctionne correctement; une icône barrée indique que le dispositif est configuré comme faisant partie du réseau mais que sa présence n'est pas relevée.



Cette page n'affiche pas tous les dispositifs présents, mais uniquement ceux qui sont associés à notre réseau.

Le fait de ne voir que les dispositifs de son propre réseau permet de faire fonctionner plusieurs réseaux analogues coexistants dans le rayon d'action du système sans fil sans créer d'ambiguïté. Ainsi, l'utilisateur ne voit pas les dispositifs qui ne correspondent pas au système de pompage.

Da questa pagina di menù si permette di associare e dissociare un elemento dalla rete wireless personale.

## FRANÇAIS

Cette page de menu permet d'associer et de dissocier un élément du réseau sans fil personnel. Lorsque la machine est démarrée, la mention du menu AS ne présente aucune connexion, car aucun dispositif n'est associé. Dans ces conditions le message « Non Dev » s'affiche et la del COMM est éteinte. Seule une action de l'opérateur permet d'ajouter ou d'éliminer des dispositifs par les opérations d'association et de dissociation.

### Association de dispositifs

Une fois dans la page AS, appuyer sur « ^ » pendant 5 sec met la machine en état de recherche pour l'association sans fil, communiquant cet état avec un clignotement de la LED COMM à intervalles réguliers. Dès que deux machines du champ de communication utile sont mises dans cet état, si cela est possible elles s'associent entre elles. Si l'association n'est pas possible pour une machine ou pour les deux, la procédure se termine et une fenêtre pop-up apparaît sur chaque machine, indiquant « association non faisable ». Une association peut ne pas être possible car le dispositif que l'on essaie d'associer est déjà présent dans le nombre maximum ou parce que le dispositif à associer n'est pas reconnu. Dans ce dernier cas, répéter la procédure depuis le début.

L'état de recherche par association reste actif jusqu'au relevage du dispositif à associer (indépendamment du résultat de l'association) ; si aucun dispositif n'est trouvé en 1 minute, le système sort automatiquement de l'état d'association. L'utilisateur peut sortir à tout moment de l'état de recherche par association sans fil en appuyant sur SET ou MODE..

**Raccourci. Pour accélérer la procédure, un raccourci a été créé qui permet d'associer la pompe depuis la page principale en appuyant sur le bouton « v ».**

**IMPORTANT:** Après avoir effectué l'association entre 2 dispositifs ou plus, on peut voir s'afficher sur l'écran une fenêtre pop-up qui demande la propagation de la configuration. Cela se vérifie quand les dispositifs ont des paramètres de configuration différents (ex. set-point SP, RP etc.). En appuyant sur ^ sur une pompe, on active la propagation de la configuration de cette même pompe vers les autres pompes associées. Après avoir appuyé sur la touche ^ des fenêtres pop-up apparaissent avec le mot « Attendre... », et une fois cette phase terminée, les pompes commencent à fonctionner régulièrement avec les paramètres sensibles alignés ; se référer au paragraphe 11.1 .5 pour plus de détails.

### Dissociation de dispositifs

Pour dissocier un dispositif appartenant à un groupe déjà existant, aller dans la page AS (menu installateur) du dispositif en question et appuyer sur la touche v pendant au moins 5 secondes. Suite à cette opération toutes les icônes relatives aux dispositifs connectés seront remplacées par le message « Non Dev » et la del COMM. Restera éteinte.

### Remplacement des dispositifs

Pour remplacer un dispositif dans un groupe existant, il suffit de dissocier le dispositif à remplacer et d'associer le nouveau dispositif suivant les procédures qui précèdent. S'il n'est pas possible de dissocier l'élément à remplacer (panne ou non disponible) il faudra effectuer la procédure de dissociation de chaque dispositif et recréer un nouveau groupe.

#### 8.5.6 EK: détection de pression basse à l'aspiration

Le paramètre EK vous permet de définir les fonctions de détection d'une basse pression à l'aspiration comme suit :

- fonction désactivée
- fonction activée avec réinitialisation automatique
- fonction activée avec réinitialisation manuelle

La fonction de détection de basse pression à l'aspiration génère le blocage du système après le temps T1 (voir T1 : Retard basse pression). Lorsque le bloc intervient, le symbole F4 s'affiche sur la page principale.

Les deux réglages (réinitialisation automatique ou manuelle) diffèrent par le type de réarmement une fois la pompe bloquée:

- En mode de réinitialisation automatique, la pression à l'aspiration doit revenir à une valeur supérieure au seuil PK pendant au moins 2 s.
- En mode de réinitialisation manuelle, il est nécessaire d'appuyer et de relâcher simultanément les boutons « ^ » et « v ».

#### 8.5.7 PK: seuil de pression basse à l'aspiration

Définit le seuil de pression en dessous duquel intervient le bloc basse pression à l'aspiration.

#### 8.5.8 RT: sens de rotation

Affiche le sens de rotation. Paramètre non modifiable par l'utilisateur.

### 8.6 Menu Assistance technique

Il s'agit de paramétrages avancés qui ne doivent être effectués que par du personnel spécialisé ou sous le contrôle direct du réseau d'assistance. Dans le menu principal, garder appuyées simultanément les touches "MODE" & "SET" & "A" f jusqu'à ce que « TB » s'affiche à l'écran (ou utiliser le menu de sélection en appuyant sur ^ ou v ). Le menu permet d'afficher et de modifier les différents paramètres de configuration: la touche MODE permet de faire défiler les pages du menu, les touches ^ et v permettent respectivement d'augmenter et de diminuer la valeur du paramètre en question. Pour sortir du menu actuel et revenir au menu principal, appuyer sur SET.

**8.6.1 TB: Temps de blocage manque d'eau**

Le paramétrage du temps de latence du blocage pour manque d'eau permet de sélectionner le temps (en secondes) nécessaire au dispositif pour signaler le manque d'eau. La variation de ce paramètre peut être utile quand une temporisation est connue entre le moment où le moteur est allumé et le moment où la distribution commence effectivement. Cela survient par exemple lorsqu'une installation comprend un conduit d'installation particulièrement long et qu'il comprend une petite fuite. Dans ce cas le conduit en question peut se décharger, et même si l'eau ne manque pas l'électropompe a besoin d'un certain temps pour se recharger, distribuer le débit et envoyer la pression dans le système.

**8.6.2 T1: Temporisation basse pression (fonction kiwa)**

Il paramètre le temps d'arrêt de l'inverseur à partir de la réception du signal de basse pression (~~vedi Impostazione della rilevazione di bassa pressione par 9.6.15.5~~). Le signal de basse pression peut être reçu sur chacune des 4 entrées en configurant l'entrée en conséquence (~~vedi Setup degli ingressi digitali ausiliari IN1, IN2, IN3, IN4 par 9.6.15~~).

T1 peut être paramétré de 0 à 12 sec. Le paramétrage du constructeur est de 2 sec.

**8.6.3 T2: Temporisation de l'arrêt**

Il paramètre le temps après lequel l'inverseur doit s'éteindre à partir du moment où les conditions d'arrêt sont atteintes: pressurisation de l'installation et débit inférieur au débit minimum. T2 peut être paramétrée de 2 à 120 sec. Le paramétrage du constructeur est de 10 sec.

**8.6.4 GP: Coefficiente di guadagno proporzionale**

Il termine proporzionale in genere deve essere aumentato per sistemi caratterizzati da elasticità (ad esempio tubazioni in PVC) ed abbassato in caso di impianti rigidi (ad esempio tubazioni in ferro). Per mantenere costante la pressione nell'impianto, l'inverter realizza un controllo di tipo PI sull'errore di pressione misurato. In base a questo errore l'inverter calcola la potenza da fornire al motore. Il comportamento di questo controllo dipende dai parametri GP e GI impostati. Per venire incontro ai diversi comportamenti dei vari tipi di impianti idraulici dove il sistema può lavorare, l'inverter consente di selezionare parametri diversi da quelli impostati dalla fabbrica. Per la quasi totalità degli impianti, i parametri GP e GI di fabbrica sono quelli ottimali. Qualora però si verificassero dei problemi di regolazione, si può intervenire su queste impostazioni.

**8.6.5 GI: Coefficient de gain intégral**

En présence de grandes chutes de pression lorsque le flux augmente brusquement ou si le système répond lentement à l'augmentation de la valeur de GI. Au lieu de l'apparition d'oscillations de pression autour de la valeur de paramétrage, réduire la valeur de GI.

**IMPORTANT:** Pour obtenir des réglages de pression satisfaisants, il faut généralement intervenir aussi bien sur le paramètre GP que GI

**8.6.6 RM: Vitesse maximale**

Elle impose une limite maximum au nombre de tours de la pompe.

**8.6.7 Réglage du nombre de dispositifs et des réserves****8.6.8 NA: Dispositifs actifs**

Paramètre le nombre maximum de dispositifs qui participent au pompage. Sa valeur peut être entre 1 et le nombre de dispositifs présents (max. 4). La valeur par défaut de NA est N, c'est-à-dire le nombre de dispositifs présents dans la chaîne. Cela entend que si des dispositifs sont ajoutés ou éliminés de la chaîne, NA prend toujours la valeur qui correspond au nombre de dispositifs présents relevés automatiquement. Un paramétrant une valeur autre que N, le nombre maximum de dispositifs pouvant participer au pompage se fixe sur le nombre paramétré. Ce paramètre sert lorsque le nombre de pompes qui peuvent ou doivent rester allumées est limité et lorsque l'on veut préserver un ou plusieurs dispositifs comme réserves (voir 8.6.10 IC : Configuration de la réserve et exemples à suivre).

Cette même page du menu affiche (sans qu'il soit possible de les modifier) également les deux autres paramètres du système liés à celui-ci : N, le nombre de dispositifs présents automatiquement détectés par le système, et NC, le nombre maximum de dispositifs simultanés.

**8.6.9 NC: Dispositifs simultanés**

Paramètre le nombre maximum de dispositifs pouvant travailler simultanément.

Il peut avoir une valeur de 1 à NA. Par défaut, NC prend la valeur NA. Cela entend que si NA augmente, NC prend la valeur de NA.

Lorsque la valeur de NA est modifiée, l'utilisateur se détache de NA et établit au nombre paramétré le nombre maximum de dispositifs simultanés. Ce paramètre est utile lorsque le nombre de pompes qui peuvent ou doivent rester allumées est limité (voir 8.6.10 IC : Configuration de la réserve et exemples à suivre). Cette même page du menu affiche (sans qu'il soit possible de les modifier) également les deux autres paramètres du système liés à celui-ci : N, le nombre de dispositifs présents lu automatiquement par le système, et NC, le nombre maximum de dispositifs simultanés.

**8.6.10 IC: Configuration de la réserve**

Configure le dispositif en mode automatique ou réserve. Si le dispositif est configuré sur auto (paramétrage par défaut), il participe au pompage normal; s'il est configuré comme réserve, la priorité de démarrage minimum lui est associée, c'est-à-dire que le dispositif sur lequel ce paramétrage est effectué démarrera toujours le dernier. Si le nombre de dispositifs actifs est inférieur de un au nombre de dispositifs présents et qu'un élément est paramétré comme réserve, si aucun inconvénient n'est présent le dispositif de réserve ne participe pas au pompage normal ; si l'un des



dispositifs qui participent au pompage présente une panne (manque l'alimentation, intervention d'une protection, etc.), le dispositif de réserve démarre.

L'état de configuration de réserve est visible dans les modes suivants: sur la page Système à pompes multiples, la partie supérieure de l'icône est colorée ; sur les pages AD et principale, l'icône de la communication représentant l'adresse du dispositif figure avec le nombre sur fond coloré. Les dispositifs configurés comme réserve peuvent être plus d'un dans un système de pompage.

Même si les dispositifs configurés comme réserve ne participent pas au pompage normal, ils restent toujours efficaces grâce à l'algorithme anti-stase. L'algorithme anti-stase veille à échanger la priorité de démarrage toutes les 23 heures et à faire accumuler pendant au moins une minute de suite la distribution du débit à chaque dispositif. Cet algorithme a pour fonction d'éviter la dégradation de l'eau du rotor et de maintenir l'efficacité des organes mobiles ; il est utile pour tous les dispositifs, en particulier ceux qui sont configurés comme réserve, qui ne travaillent pas en conditions normales.

### 8.6.10.1 Exemples de configuration pour les systèmes à pompes multiples

*Exemple 1:*

*Un groupe de pompage composé de 2 dispositifs (N=2 relevé automatiquement) dont 1 paramétré comme actif (NA=1), un simultané (NC=1 ou NC=NA puisque NA=1) et un comme réserve (IC=réserve sur l'un des deux dispositifs).*

*L'effet obtenu sera le suivant : le dispositif non configuré comme réserve démarrera et travaillera seul (même s'il ne parvient pas à soutenir la charge hydraulique et que la pression réalisée est trop basse). En cas de panne de celui-ci, le dispositif de réserve entre en fonction.*

*Exemple 2:*

*Un groupe de pompage composé de 2 dispositifs (N=2 relevé automatiquement) où tous les dispositifs sont actifs et simultanés paramétrage du constructeur NA=N et NC=NA) et un comme réserve (IC=réserve sur l'un des deux dispositifs).*

*L'effet obtenu sera le suivant : le dispositif qui n'est pas paramétré comme réserve démarre le premier ; si la pression réalisée est trop faible, le second dispositif, configuré comme réserve, démarre lui aussi. L'on essaie ainsi toujours de préserver l'utilisation d'un dispositif particulier (celui qui est configuré comme réserve), mais celui-ci intervient lorsque c'est nécessaire, quand une charge hydraulique plus importante se présente.*

*Exemple 3:*

*Un groupe de pompage composé de 4 dispositifs (N4 relevé automatiquement) dont 3 sont paramétrés comme actifs (NA=3), 2 simultanés (NC=2) et 1 comme réserve (IC=réserve sur deux dispositifs). L'effet obtenu sera le suivant : 2 dispositifs au maximum démarreront simultanément.*

*Le fonctionnement des 2 qui peuvent travailler en même temps se fera par roulement entre 3 dispositifs de manière à respecter le temps maximal d'échange (ET) de chacun. Si l'un des dispositifs actif est en panne ou si aucune réserve n'entre en fonction parce que plus de 2 dispositifs (NC=2) ne peuvent pas démarrer à la fois et si 2 dispositifs continuent d'être présents. La réserve intervient dès qu'un autre des 2 dispositifs restants se bloque.*

### 8.6.11 ET: Temps d'échange max

Paramètre le temps maximum de travail continu d'un dispositif dans un groupe. Il ne fonctionne que pour les groupes de pompage dotés de dispositifs interconnectés entre eux. Le temps peut être paramétré de 1 min à 9 heures; le paramétrage du constructeur est de 2 heures.

Lorsque le temps ET d'un dispositif est écoulé, l'ordre de démarrage du système est réattribué, afin de porter le dispositif dont le temps est écoulé en priorité minimum. Cette stratégie a pour objectif de moins utiliser le dispositif qui a déjà travaillé et d'équilibrer le temps de travail des différentes machines qui composent le groupe. Si la charge hydraulique requiert l'intervention du dispositif en question même s'il a été placé en dernier dans l'ordre de démarrage, il démarrera afin de garantir la pressurisation de l'installation.

La priorité de démarrage est réattribuée dans ceux conditions, en fonction du temps ET

1. Échange durant le pompage: lorsque la pompe reste allumée de manière ininterrompue, jusqu'à ce que le temps maximum absolu de pompage soit dépassé.
2. Échange en veille : lorsque la pompe est en veille mais que 50% du temps ET est écoulé.

Si ET est paramétré à 0, l'échange en veille a lieu. Chaque fois qu'une pompe du groupe s'arrêtera, une autre pompe démarrera à la mise en route suivante.



Si le paramètre ET (Temps d'échange max) est sur 0, l'échange a lieu à chaque remise en marche, quel que soit le temps de travail effectif de la pompe.

### 8.6.12 AY: Anti Cycling

Comme décrit au paragraphe 10.1.2 cette fonction permet d'éviter les allumages et arrêts fréquents en cas de fuites dans l'installation. La fonction peut être habilitée en 2 modalités différentes : normale et smart. En modalité normale, le contrôle électronique bloque le moteur après N cycles de démarrage et arrêt identiques. En modalité smart, elle agit sur le paramètre RP afin de réduire les effets négatifs dus aux fuites. Si elle est paramétrée sur « Désactivée » la fonction n'intervient pas.

### 8.6.13 AE: Habilitation de la fonction d'anti-blocage

Cette fonction permet d'éviter les blocages mécaniques en cas d'inactivité prolongée ; elle agit en mettant périodiquement la pompe en rotation. Lorsque cette fonction est activée, la pompe effectue toutes les 23 heures un cycle de déblocage d'1 min.

### 8.6.14 AF: Habilitation de la fonction d'antigel

Si cette fonction est habilitée, la pompe est automatiquement mise en rotation lorsque la température atteint des valeurs proches de la température de gel, afin d'éviter les ruptures de la pompe.

**8.6.15 RF: Remise à zéro des pannes et avertissements**

En gardant appuyées simultanément, pendant 2 secondes au moins, les touches  $\wedge$  et  $\vee$  la chronologie des pannes et avertissements est effacée. Le nombre de pannes présentes dans l'historique (max. 64) est indiqué sous le symbole RF. L'historique peut être affiché à partir du menu ÉCRAN de la page FF.

**8.6.16 PW: Modification du mot de passe**

Le dispositif comprend un système de protection par mot de passe. Si un mot de passe est prévu, les paramètres du dispositif seront accessibles et visibles, mais ils ne pourront pas être modifiés.

Lorsque le mot de passe (PW) est sur "0", tous les paramètres sont débloqués et peuvent être modifiés.

Lorsqu'un mot de passe est affiché (valeur de PW différent de 0) toutes les modifications sont bloquées et la page PW affiche « XXXX ».

Si un mot de passe est défini, l'utilisateur peut consulter toutes les pages, mais dès qu'il essaie de modifier un paramètre une fenêtre pop-up s'affiche et demande la saisie du mot de passe. Lorsque le bon mot de passe est saisi, les paramètres restent débloqués pendant 10' et peuvent alors être modifiés à compter de la dernière pression d'un bouton. Pour annuler la temporisation du mot de passe, aller à la page PW et appuyer simultanément sur  $\wedge$  et  $\vee$  pendant 2".

Lorsque le bon mot de passe est saisi, l'écran présente un cadenas qui s'ouvre ; si le mot de passe saisi n'est pas correct, le cadenas clignote.

Après avoir ramené les valeurs du constructeur, le mot de passe revient à "0".

Chaque changement de mot de passe est effectif quand MODE ou SET sont appuyés, et chaque modification successive d'un paramètre implique la nouvelle saisie du nouveau mot de passe (par ex. l'installateur règle tous les paramètres avec la valeur de PW par défaut = 0 puis règle le mot de passe de manière à être sûr que la machine est déjà protégée sans qu'une autre action ne soit nécessaire).

En cas d'oubli du mot de passe, les paramètres du dispositif peuvent être modifiés de deux façons:

- Prendre note de tous les paramètres, puis ramener le dispositif aux valeurs du constructeur comme indiqué au paragraphe 9.3. L'opération de remise à zéro efface tous les paramètres du dispositif, y compris le mot de passe.
- Prendre note du numéro figurant sur la page du mot de passe et envoyer ce numéro par courriel au centre d'assistance : le mot de passe pour débloquent le dispositif sera transmis en quelques jours.

**8.6.20.1 Mot de passe systèmes à pompes multiples**

Lorsque le mot de passe est saisi pour débloquent un dispositif faisant partie d'un groupe, tous les dispositifs sont débloqués.

Lorsque le mot de passe est modifié sur un dispositif faisant partie d'un groupe, tous les dispositifs reçoivent la modification.

Lorsque la protection avec PW est activée sur un dispositif faisant partie d'un groupe ( $\wedge$  et  $\vee$  sur la page PW quand PW $\neq$ 0), la protection est active sur tous les dispositifs (le mot de passe est demandé pour effectuer toute modification).

**9. REMISE À ZÉRO ET PARAMÉTRAGES DU CONSTRUCTEUR****9.1 Remise à zéro générale du système**

Pour remettre le système à zéro, garder les 4 touches appuyées simultanément pendant 2 sec. Cette opération correspond au débranchement de l'alimentation. Attendre l'arrêt complet et ré-alimenter. La remise à zéro n'efface pas les paramètres mémorisés par l'utilisateur.

**9.2 Paramètres du constructeur**

Le dispositif sort de l'atelier du constructeur avec une série de paramètres pré-établis qui peuvent être modifiés selon les exigences de l'utilisateur. Tout changement apporté aux paramètres est automatiquement sauvegardé dans la mémoire, et il est toujours possible de revenir aux paramètres du constructeur (voir Rétablissement des paramètres du constructeur, parag 9.3).

**9.3 Rétablissement des paramètres du constructeur**

Pour revenir aux paramètres du constructeur, éteindre le dispositif, attendre l'arrêt complet de l'écran (le cas échéant), appuyer sur les touches "SET" et " $\wedge$ " et les garder appuyées, puis alimenter ; relâcher les deux touches uniquement quand la mention "EE" est affichée.

Lorsque le réglage de tous les paramètres est terminé, le dispositif revient à son fonctionnement normal.

NOTE : Lorsque les valeurs du constructeur sont rétablies, tous les paramètres qui caractérisent l'installation devront être rétablis (gains, pression de point de paramétrage, etc.), comme lors de la première installation.

## FRANÇAIS

Identifiant	Description	Valeur	Rappel Installation
TK	T. allumage éclairage de fond	2 min	
LA	Langue	ENG	
SP	Pression de paramètre [bar]	3,0	
RI	Tours par minute en mode manuel [rpm]	3000	
OD	Type d'installation	1 (Rigide)	
RP	Réduction de pression pour redémarrage [bar]	0,3	
AD	Configuration adresse	0 (Auto)	
PR	Capteur de pression distant	Désactivé	
MS	Système de mesurage	0 (International)	
EK	Fonction basse pression à l'aspiration	0 (désactivé)	
PK	Seuil de basse pression à l'aspiration [bars]	1,0	
TB	Temps de blocage manque d'eau [s]	15	
T1	Temporisation basse pr. (KIWA) [s]	2	
T2	Temporisation de l'arrêt [s]	10	
GP	Coefficient de gain proportionnel	0,5	
GI	Coefficient de gain intégral	1,2	
RM	Vitesse maximum [rpm]	5500	
NA	Dispositifs actifs	N	
NC	Dispositifs simultanés	NA	
IC	Configuration de la réserve	1 (Auto)	
ET	Temps d'échange max [h]	2	
AE	Fonction anti-blocage	1(Activé)	
AF	Antigel	1(Activé)	
PW	Modification du mot de passe	0	
AY	Fonction Anticycling AY	0 (Désactivé)	

Tableau 10

## 10. SYSTÈMES DE PROTECTION

Le dispositif est doté de systèmes de protection visant à préserver la pompe, le moteur, la ligne d'alimentation et l'inverseur. Selon le type d'erreur, la protection peut arrêter le moteur, mais lorsque les conditions normales sont rétablies, elle peut : s'annuler automatiquement instantanément ou après un certain temps suite à un réarmement automatique.

Certaines erreurs peuvent être débloquées manuellement en appuyant et en relâchant simultanément les boutons ^ et v

Alarme de l'historique des pannes	
Indication à l'écran	Description
PD	Arrêt anormal
FA	Problèmes du système de refroidissement

Tableau 11 Alarmes

Conditions de blocage	
Indication à l'écran	Description
PH	Blocage pour surchauffe pompe
BL	Blocage pour manque d'eau
BP1	Blocage pour erreur de lecture du capteur de pression interne
PB	Blocage pour tension d'alimentation hors-spécification
OT	Blocage pour surchauffe des bornes de puissance
OC	Blocage pour courant excessif dans le moteur

## FRANÇAIS

SC	Blocage pour court-circuit entre les phases du moteur
ESC	Blocage pour court-circuit vers la mise à la terre
HL	Fluide chaud
NC	Blocage pour moteur débranché
Ei	Blocage pour erreur interne i-ème
VI	Blocage pour tension d'interne i-ème hors-tolérance
EY	Blocage pour relevage de cycle anormal du système

Tableau 12 Indication des blocages

### 10.1 Description des blocages

#### 10.1.1 “BL” Anti Dry-Run (protection contre le fonctionnement à sec)

En cas de manque d'eau, la pompe s'arrête automatiquement après le temps TB. Dans ce cas, le DEL rouge “Alarme” et la mention “BL” s'affichent à l'écran.

Après avoir rétabli le débit d'eau nécessaire, l'utilisateur peut tenter de sortir manuellement du blocage de protection en appuyant simultanément sur les touches “^” et “v” puis en les relâchant.

Si l'état d'alarme persiste, c'est-à-dire que l'utilisateur n'intervient pas en rétablissant le débit d'eau et en redémarrant la pompe, le redémarrage automatique tente de relancer la pompe.



Si le paramètre SP n'est pas réglé correctement, la protection pour manque d'eau peut ne pas fonctionner correctement.

#### 10.1.2 Anti-Cycling (protection contre les cycles continus sans demande de l'utilisateur)

Si des fuites sont présentes dans le tronçon de distribution, le système démarre et s'arrête de manière cyclique, même si le prélèvement d'eau n'est pas voulu: une fuite même minime (quelques ml) provoque une chute de pression qui provoque à son tour le démarrage de l'électropompe. Le contrôle électronique est en mesure de relever la présence de fuites sur la base de sa périodicité.

La fonction anti-cycling peut être exclue ou activée en modalité Basic ou Smart (parag 8.6.12).

La modalité Basic prévoit l'arrêt de la pompe lorsque la condition de périodicité est relevée ; elle reste alors en attente d'une remise à zéro manuelle.

Cette condition est communiquée à l'utilisateur par l'affichage du DEL rouge “Alarme” et de la mention “ANTICYCLING” à l'écran. Après avoir éliminé la fuite, l'utilisateur peut forcer manuellement le redémarrage en appuyant et relâchant simultanément les touches “^” et “v”.

La modalité Smart prévoit l'augmentation du paramètre RP lorsque la condition de fuite est relevée, afin de réduire le nombre d'allumages dans le temps.

#### 10.1.3 Anti-Freeze (protection contre le gel de l'eau dans le système)

Le passage de l'eau de l'état liquide à l'état solide comporte une augmentation de volume. Il s'agit donc d'éviter que le système ne reste plein d'eau lorsque les températures sont proches de celles du gel afin d'éviter la rupture de celui-ci. C'est la raison pour laquelle il est recommandé de vider toute électropompe lorsqu'elle n'est pas utilisée en hiver. Ce système est toutefois doté d'une protection qui empêche la formation de glace à l'intérieur : elle actionne l'électropompe lorsque la température baisse à des valeurs proches de celle du gel. L'eau qui se trouve à l'intérieur est donc chauffée et la glace ne peut pas se former.



La protection Anti-Freeze fonctionne uniquement si le système est correctement alimenté : si la fiche est débranchée ou en l'absence de courant, la protection ne peut pas fonctionner.

#### 10.1.4 “BP1” “BP2” Blocco per guasto sul sensore di pressione interno

Si l'appareil détecte une anomalie sur l'un des deux capteurs de pression, la pompe reste bloquée et « BP1 » est signalé pour le capteur de pression de refoulement et « BP2 » pour le capteur de pression d'aspiration. Cet état commence dès que le problème est relevé et se termine automatiquement lorsque les conditions nécessaires sont rétablies.

#### 10.1.5 “PB” Blocage pour tension d'alimentation hors-spécification

Il a lieu lorsque la tension de ligne à la borne d'alimentation permise prend des valeurs hors-spécifications. Le rétablissement a lieu automatiquement lorsque la tension à la borne revient aux valeurs admises.

#### 10.1.6 “SC” Blocage pour court-circuit entre les phases du moteur

Le dispositif est doté d'une protection contre les court-circuits directs qui peuvent avoir lieu entre les phases du moteur. Lorsque cet état de blocage est signalé, l'utilisateur peut tenter de rétablir le fonctionnement en appuyant simultanément sur les touches ^ et v. Cette action n'a d'effet que lorsque 10 secondes ont passé à partir du moment où le court-circuit a eu lieu.

## 10.2 Remise à zéro manuelle des conditions d'erreur

En état d'erreur, l'utilisateur peut effacer l'erreur en forçant une nouvelle tentative, en appuyant puis relâchant les touches ^ et v.

## 10.3 Remise à zéro automatique des conditions d'erreur

Pour certains dysfonctionnements et conditions de blocage, le système effectue des tentatives de rétablissement automatique.

Le système de rétablissement automatique concerne en particulier:

"BL" Blocage pour manque d'eau

"PB" Blocage pour tension d'alimentation hors-spécification

"OT" Blocage pour surchauffe des bornes de puissance

"OC" Blocage pour courant excessif dans le moteur

"BP" Blocage pour anomalie sur le capteur de pression

Si le système se bloque par exemple à cause d'un manque d'eau, le dispositif lance automatiquement une procédure d'essai afin de vérifier que la machine est effectivement à sec de manière définitive et permanente. Si, durant la séquence d'opérations, une tentative de rétablissement réussit (par exemple l'eau revient), la procédure s'interrompt et le dispositif revient au fonctionnement normal.

Le tableau 13 indique les séquences des opérations effectuées par le dispositif pour les différents types de blocage.

Rétablissements automatiques sur les conditions d'erreur		
Indication à l'écran	Description	Séquence de rétablissement automatique
BL	Blocage pour manque d'eau	- Une tentative toutes les 10 minutes, pour un total de 6 tentatives - Une tentative par heure, pour un total de 24 tentatives - Une tentative toutes les 24 heures, pour un total de 30 tentatives
PB	Blocage pour tension d'alimentation hors-spécification	Se remet à zéro quand la tension de spécification est rétablie
OT	Blocage pour surchauffe des bornes de puissance	Se remet à zéro quand la température des bornes de puissance revient dans les valeurs de spécification
OC	Blocage pour courant excessif dans le moteur	- Une tentative toutes les 10 minutes, pour un total de 6 tentatives - Une tentative par heure, pour un total de 24 tentatives - Une tentative toutes les 24 heures, pour un total de 30 tentatives

Tableau 13 Rétablissement automatique des blocages

## 11. INSTALLATIONS SPÉCIALES

### 11.1 Groupes multiples

#### 11.1.1 Introduction au système à pompes multiples

L'on entend par système à pompes multiples un groupe de pompage formé d'un ensemble de pompes dont les distributions confluent sur un collecteur commun. Les dispositifs communiquent entre eux à travers la connexion prévue (sans fil).

Le nombre maximum de dispositifs pouvant former un groupe est de 4.

Un système à pompes multiples est principalement utilisé pour:

- Augmenter les prestations hydrauliques par rapport au dispositif simple.
- Assurer la continuité du fonctionnement en cas de panne d'un dispositif.
- Fractionner la puissance maximum.

#### 11.1.2 Réalisation d'un système à pompes multiples

L'installation hydraulique doit être réalisée de la manière la plus symétrique possible, afin de réaliser une charge hydraulique répartie de manière uniforme sur toutes les pompes.

Les pompes doivent toutes être reliées à un seul collecteur de distribution.



Pour le bon fonctionnement du groupe de pressurisation, tout le dispositif doit comprendre les mêmes::

- branchements hydrauliques,
- vitesse maximale (paramètre RM)

Les versions de firmware des e.sybox connectés doivent toutes être identiques. Quand l'installation hydraulique a été réalisée, il faut créer le groupe de pompage en effectuant l'association sans fil des dispositifs (voir par. 8.5.5.)

### 11.1.3 Communication sans fil

Les dispositifs communiquent entre eux et propagent les signaux de débit et pression à travers la communication sans fil.

### 11.1.4 Branchement et paramétrage des entrées

Les entrées de la centrale de contrôle servent à activer les fonctions de flotteur, point de paramétrage auxiliaire, désactivation du système, basse pression en aspiration. Les paramètres affichés dans le menu pour une installation à pompes multiples sont classés comme suit:

- Paramètres en lecture seule.
- Paramètres à signification locale.
- Paramètres de configuration du système à pompes multiples ils sont à leur tour répartis en:
  - Paramètres sensibles
  - Paramètres à alignement facultatif

### 11.1.5 Paramètres d'intérêt pour le système à pompes multiples

#### Paramètres à signification locale

Il s'agit de paramètres qui peuvent être différents suivant les différents dispositifs.

Dans certains cas, il est nécessaire qu'ils soient différents. Pour ces paramètres, il n'est pas permis d'aligner automatiquement la configuration des différents dispositifs. Par exemple, dans le cas de l'attribution manuelle des adresses, ils devront obligatoirement être différents les uns des autres. Liste des paramètres avec leur signification locale pour le dispositif:

- BK Luminosité
- TK Temps d'allumage de l'éclairage de fond
- RI Tours/min en modalité manuelle
- AD Configuration adresse
- IC Configuration réserve
- RF Remise à zéro des pannes et avertissements

#### Paramètres sensibles

Il s'agit de paramètres qui doivent nécessairement être alignés sur toute la chaîne, pour des raisons de réglage.

Liste des paramètres sensibles:

- SP Pression de paramétrage
- RP Diminution de pression pour redémarrage
- ET Temps d'échange
- AY Anticycling
- NA Nombre de dispositifs actifs
- NC Nombre de dispositifs simultanés
- TB Temps de dry run
- T1 Temps pour l'arrêt après le signal de basse pression
- T2 Temps d'arrêt
- GI Gain intégral
- GP Gain proportionnel
- OD Type d'installation
- PR Capteur de pression distant
- PW Modification du mot de passe

#### Alignement automatique des paramètres sensibles

Lorsqu'un système à pompes multiples est relevé, un contrôle est lancé afin de vérifier que les paramètres réglés sont cohérents. Si les paramètres sensibles ne sont pas alignés sur tous les dispositifs, l'écran de chaque dispositif affiche un message demandant à l'utilisateur s'il souhaite propager la configuration de ce dispositif à tout le système. Lorsque l'utilisateur accepte, les paramètres sensibles du dispositif sur lequel la réponse a été donnée sont transmis à tous les dispositifs de la chaîne.

Si des configurations ne sont pas compatibles avec le système, la propagation de la configuration de ces dispositifs n'est pas autorisée.

Durant le fonctionnement normal, la modification d'un paramètre sensible sur un dispositif comporte l'alignement automatique du paramètre sur tous les autres dispositifs, sans qu'une confirmation ne soit demandée.

**NOTE :** L'alignement automatique des paramètres sensibles n'a aucun effet sur tous les autres types de paramètres.

Lorsqu'un dispositif comprenant les paramètres du constructeur est ajouté dans la chaîne (dans le cas d'un dispositif qui en remplace un déjà existant, ou si un dispositif sort d'un rétablissement à la configuration du constructeur), si les configurations présentes autres que celle du constructeur sont cohérentes, le dispositif présentant les paramètres du constructeur adopte automatiquement les paramètres sensibles de la chaîne.

**Paramètres à alignement facultatif**

Il s'agit de paramètres pour lesquels le non-alignement entre les différents dispositifs est toléré. À chaque modification de ces paramètres, lorsque la pression de SET ou MODE est effectuée, il est demandé de propager la modification dans l'ensemble de la chaîne de communication. Ainsi, si la chaîne est la même pour tous les éléments qui la composent, l'on évite de paramétrer les mêmes données sur tous les dispositifs.

Liste des paramètres à alignement facultatif:

- LA Langue
- MS Système de mesurage
- AE Anti-blocage
- AF Antigel
- RM Vitesse maximale

**11.1.6 Premier démarrage du système à pompes multiples**

Effectuez les raccordements hydrauliques et électriques de l'ensemble du système comme décrit au chap. 5 et au par 6.1.

8.5.5 - AS: Association de dispositifs.

**11.1.7 Réglage du système à pompes multiples**

Lorsqu'un système à pompes multiples s'allume, l'attribution des adresses est effectuée automatiquement et un algorithme nomme un dispositif comme leader du réglage. Le leader décide la vitesse et l'ordre de départ de chaque dispositif faisant partie de la chaîne.

La modalité de réglage est séquentielle (les dispositifs démarrent l'un après l'autre). Lorsque les conditions de départ sont présentes le premier dispositif démarre ; quand il arrive à sa vitesse maximale, le second démarre, et ainsi de suite pour tous les suivants. L'ordre de départ n'est pas nécessairement croissant en fonction de l'adresse de la machine, mais il dépend des heures de travail effectuées. Voir le parag8.6.11 - ET: Temps d'échange.

**11.1.8 Attribution de l'ordre de démarrage**

Un ordre de démarrage est attribué à chaque dispositif à chaque mise en marche du système. La succession des démarrages des dispositifs est générée en fonction de cela.

L'ordre de démarrage est modifié durant l'utilisation en fonction du besoin des algorithmes suivants:

- Atteinte du Temps d'échange max
- Atteinte du temps d'inactivité maximum

**11.1.9 Temps d'échange max**

En fonction du paramètre ET (Temps d'échange max ), chaque dispositif a un contacteur de temps de travail, en fonction duquel l'ordre de redémarrage est mis en jour suivant l'algorithme suivant:

- si au moins la moitié de la valeur de ET est dépassée, l'échange de priorité est effectué au premier arrêt de l'inverseur (échange en veille).
- si la valeur de ET est atteinte sans.



Si le paramètre ET (Temps d'échange max ) est sur 0, l'échange a lieu à chaque remise en marche.

Vedi 8.6.11 - ET: Temps d'échange.

**11.1.10 Réalisation du temps d'inactivité maximal**

Le système à pompes multiples dispose d'un algorithme anti-stase qui a pour objectif de maintenir les pompes en état d'efficacité parfaite et de maintenir l'intégrité du liquide pompé. Il fonctionne en permettant une rotation de l'ordre de pompage de telle manière que toutes les pompes distribuent au moins une minute de débit toutes les 23 heures. Cela advient quelle que soit la configuration du dispositif (activé ou réserve). L'échange de priorité prévoit que le dispositif arrêté depuis 23 heures soit porté à une priorité maximum dans l'ordre de démarrage. Cela implique qu'il démarre le premier dès que la distribution de débit est nécessaire. Les dispositifs configurés comme réserve ont la priorité sur les autres. L'algorithme termine son action lorsque le dispositif a distribué le débit pendant au moins une minute.

Au terme de l'intervention de l'anti-stase, si le dispositif est configuré comme réserve, il est ramené à la priorité minimale afin d'être préservé de l'usure.

**11.1.11 Réserves et nombre de dispositifs participant au pompage**

Le système à pompes multiples lit le nombre d'éléments reliés en communication et appelle ce nombre N.

Ensuite, en fonction des paramètres NA et NC, il décide combien de dispositifs, et lesquels, doivent travailler à un instant donné.

NA représente le nombre de dispositifs participant au pompage. NC représente le nombre maximum de dispositifs pouvant travailler simultanément.

Si une chaîne comprend NA dispositifs actifs et NC dispositifs simultanés dont le NC est inférieur à NA, cela entend que NC dispositifs au maximum démarreront et que ces dispositifs s'échangeront entre NA éléments. Si un dispositif est configuré comme préférence de réserve, il

sera placé en dernier dans l'ordre de démarrage. Ainsi, si l'on dispose de 3 dispositifs dont un est configuré comme réserve, la réserve démarrera le troisième. Au contraire, si NA=2 est paramétré, la réserve ne démarrera pas, sauf si l'un des deux éléments actifs sera en panne.

Voir également l'explication des paramètres


8.6.8 - NA: Dispositifs actifs;

8.6.9 NC: Dispositifs simultanés;

8.6.10 IC: Configuration de la réserve.

## 12. APP, DCONNECT CLOUD ET MISE À JOUR DU LOGICIEL



La « solution intelligente » **APP DConnect**  représente, avec l'écran de la pompe, l'interface de commande locale de la pompe Esybox Max.

Grâce à l'APP DConnect, il est possible de mettre à jour le produit et de configurer les principaux paramètres de l'appareil avec la commodité d'une application facile à utiliser et toujours à portée de main.

L'APP DConnect vous permet de tirer le meilleur parti du produit : il est également possible d'accélérer la création de votre système grâce à la solution DSync (voir section dédiée) et d'effectuer les mises à jour nécessaires (voir section dédiée) directement depuis votre smartphone sans objets externes encombrants.

Grâce à l'APP, il est possible d'interagir localement avec le produit via le menu spécial « Connexion directe » accessible directement depuis la page principale de l'APP.



Menu - Connexion directe

La « Solution intelligente » **DConnect CLOUD** permet le contrôle à distance de vos systèmes via un portail internet spécial : [dconnect.dabpumps.com](http://dconnect.dabpumps.com) et via l'APP DConnect par le menu approprié « Vos installations » accessible directement depuis la page principale de l'APP.



Menu - Vos installations

**NOTE 1 :** Le service de contrôle à distance DConnect Cloud nécessite une inscription sur le portail et après une période d'essai, un abonnement. Toutes les informations sont disponibles sur le site : [www.internetofpumps.com](http://www.internetofpumps.com)

**NOTE 2 :** Dans ce manuel, il est fait référence aux menus de l'application DConnect, les couleurs ou les descriptions peuvent changer.

Pour tirer le meilleur parti du produit et de son interaction avec l'APP et avec le service DConnect Cloud, consultez également la documentation en ligne et regardez les vidéos de démonstration. Toutes les informations nécessaires sont disponibles sur le site : [www.internetofpumps.com](http://www.internetofpumps.com) ou [www.dabpumps.com](http://www.dabpumps.com)

### 12.1 Configuration système requise

- **Configuration pour APP requise : Smartphone**

- - Android ≥ 6 (niveau API 23).

- IOS ≥ 12

- Accès Internet, Wi-Fi et Bluetooth activés.

- Accorder les autorisations proposées ponctuellement par le système d'exploitation du smartphone

- **Configuration requise pour l'accès via WebAPP : PC**

- Navigateur WEB prenant en charge JavaScript (par exemple Microsoft Edge, Firefox, Google Chrome, Safari).

- Accès à Internet.

**NOTE:** Microsoft® a annoncé qu'Internet Explorer 10 ne sera pris en charge que jusqu'en janvier 2020. C'est pourquoi webAPP ne prend pas en charge Internet Explorer. Cependant, Microsoft Edge, son remplaçant, il est déjà disponible préinstallé sur le PC.

- **Configuration requise du Réseau du produit**

- Connexion directe active et permanente à Internet sur le site d'installation.

- Modem/Router Wi-Fi (2,4 GHz).

- Signal Wi-Fi de bonne qualité et puissance dans la région où le produit est installé

**NOTE:** si le signal Wi-Fi n'est pas performant, l'utilisation d'un Wifi Extender est recommandée.

L'utilisation de DHCP est recommandée, bien qu'il soit possible de définir une adresse IP statique.

### 12.2 Mise à jour du logiciel

Les mises à jour garantissent une meilleure utilisation des services offerts par le produit.

Avant l'utilisation du produit, assurez-vous que le produit est mis à jour à la dernière version logicielle disponible. Pendant la phase de mise à jour du logiciel, les produits concernés ne pourront pas exécuter les fonctions de pompage. Pour cette raison, une mise à jour contrôlée par l'opérateur est recommandée.

**NOTE 1 :** La mise à jour peut prendre jusqu'à 5 minutes par produit et la pompe redémarrera une fois terminée.



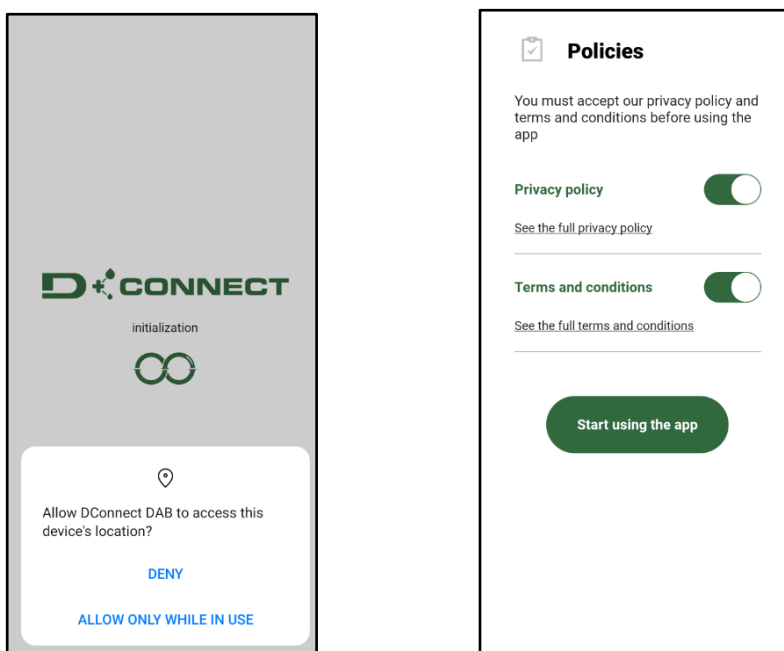
**NOTE 2 :** Pour utiliser l'Esybox Max dans un groupe de pompage, les versions logicielles de chaque composant du groupe de pompage doivent être les mêmes.

La mise à jour du logiciel peut être effectuée :

- **localement :**
  - directement depuis l'APP DConnect (recommandé)
  - directement à partir d'une Esybox Max plus à jour et d'une autre pompe similaire moins à jour
- **à distance** si vous vous abonnez au service Cloud DConnect.

### Mises à jour locales via APP DCONNECT

Assurez-vous de télécharger la dernière version de l'APP DConnect DAB  disponible sur l'App Store et Google Play et approuver toutes les demandes d'autorisations, les politiques et les « conditions générales » qui apparaissent sur l'écran du smartphone.



Pour la première configuration et pour mettre à jour le produit, depuis la page principale de l'APP appuyez sur le bouton :

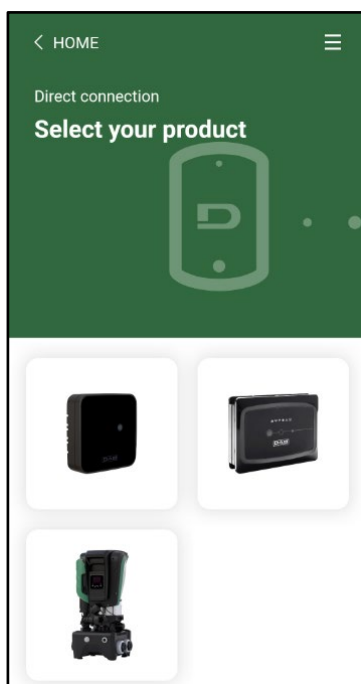


Menu - Connexion directe

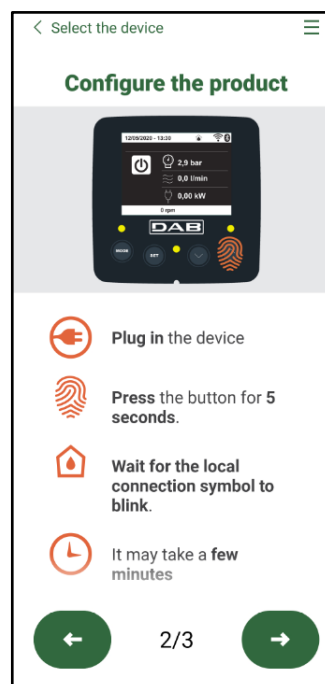
L'application vous guidera pas à pas dans la procédure de connexion locale et dans la mise à jour du produit (dans le cas d'un groupe de pompes Esybox Max, il est conseillé de mettre à jour un appareil à la fois ou d'utiliser la solution intelligente : **DSync**).

#### **Procédure :**

Dans le menu de sélection de produit, choisissez l'Esybox Max et suivez les instructions étape par étape indiquées sur les écrans de l'APP DConnect.



Choix du produit auquel accéder

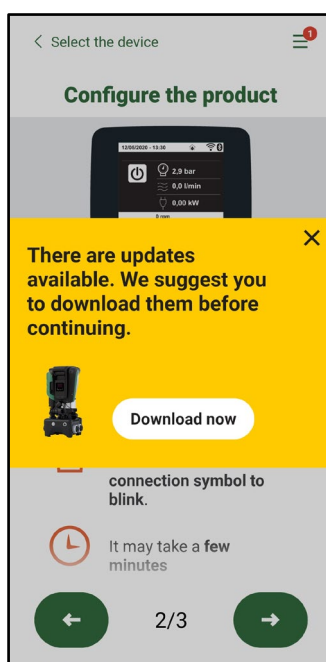


Instructions de connexion directe

Une fois la connexion entre le smartphone et le produit (« connexion locale ») établie, l'APP vérifiera si une mise à jour logicielle est disponible. Si tel est le cas, une fenêtre popup apparaîtra sur l'écran de l'APP.

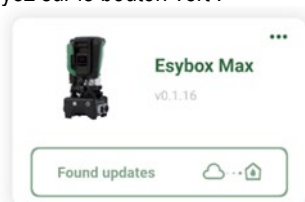
Appuyez sur le bouton « Télécharger » dans la fenêtre contextuelle pour télécharger le logiciel de mise à jour sur votre smartphone.

**NOTE :** Ce logiciel restera disponible dans l'APP pour faciliter les mises à jour ultérieures d'autres Esybox Max et restera valide jusqu'à ce qu'un nouveau logiciel de mise à jour soit mis à disposition et sera remplacé.



Notification des nouvelles mises à jour disponibles

Une fois le téléchargement terminé, la mise à jour se trouve sur le smartphone ; pour le transférer au produit, accédez au menu de connexion directe Esybox Max et appuyez sur le bouton vert :



Menu produit avec une Mise à jour disponible



Bouton pour démarrer la mise à jour

Une fois la mise à jour commencée, la pompe affichera la progression sur l'écran qui se terminera par le message « Terminé ! » et peu de temps après, elle redémarrera.

Si la mise à jour échoue, l'Esybox Max que vous tentiez de mettre à jour redémarre avec la version précédente du logiciel, vous pouvez donc répéter l'opération.

### Alignement logiciel entre deux Esybox Max

Si un smartphone n'est pas disponible (en tout cas recommandé pour profiter de la dernière mise à jour disponible) il est possible d'effectuer un alignement logiciel local entre deux Esybox Max du même modèle.

L'alignement logiciel de produits similaires est nécessaire pour permettre la création du groupe de pompage.

La procédure est effectuée entre deux Esybox Max à la fois, en cas de mise à jour de plus d'Esybox Max, la procédure doit être répétée à chaque fois.

#### Procédure:

Associez deux appareils Esybox Max (voir 8.5.5 AS Association d'appareils).

Si les deux Esybox Max ont une version logicielle différente (vous pouvez le contrôler à partir du menu VE), une fenêtre popup apparaîtra à l'écran indiquant qu'une association est en cours entre deux produits avec un firmware différent. Le popup vous indique également la version du firmware et d'appuyer sur le bouton ^.

Ce bouton peut être pressé sur n'importe quel Esybox Max impliqué dans la phase d'alignement du logiciel.

Une fois la mise à jour commencée, la pompe affichera la progression sur l'écran qui se terminera par le message « Terminé ! » et peu de temps après, elle redémarrera.

Vérifiez via le menu VE que l'Esybox Max a été mis à jour vers la version souhaitée. Si la mise à jour échoue, l'Esybox Max que vous tentiez de mettre à jour redémarre avec la version précédente du logiciel, vous pouvez donc répéter l'opération.

## 12.3 DSYNC


- Les produits DAB avec DConnect intégré bénéficient des solutions intelligentes qui aident l'utilisateur lors de la configuration initiale et de l'utilisation du produit.
- Grâce à DSync, il est possible de gagner du temps pour la première configuration et la mise à jour logicielle de l'Esybox Max qui fera partie d'un nouveau groupe de pressurisation.
- Il suffit de configurer une pompe du groupe et de propager les paramètres aux autres pompes via la fonction DSync.
- Plus précisément, lors de la création d'un nouveau groupe de pompage via DSync, vous pouvez :
  - Mettre à jour l'Esybox Max existant vers la dernière version logicielle disponible
  - Aligner les paramètres de langue et d'unité pour chaque pompe du groupe.
  - Si vous souhaitez utiliser le service DConnect Cloud, il est possible d'activer le service sur un Esybox Max auquel vous êtes directement connecté et de propager les paramètres également aux autres pompes du groupe.
- Conditions préalables :
- Afin de profiter de la fonctionnalité DSync
- L'Esybox Max ne doit pas avoir été préalablement synchronisée (via DSync) avec d'autres pompes similaires (il est possible de réinitialiser l'état depuis l'application dans le menu produit)
- Ne doit pas être sous tension depuis plus de 30 minutes (autrement, il suffit de la redémarrer)
- Si une mise à jour du logiciel est nécessaire, veuillez noter que cela peut prendre jusqu'à 5 minutes par pompe.
- 
- Procédure :



- Cliquez sur le bouton « Connexion directe » sur la page principale de l'App Dconnect.
- Sélectionnez l'image du produit Esybox Max
- Suivez les instructions indiquées par l'APP, étape par étape
- Cliquez sur le bouton vert DSync
- 



- Le nombre de pompes trouvées sur le site d'installation et qui peuvent être synchronisées car elles sont dans un état de « première configuration » apparaîtra sur l'écran de l'APP.
- Dans le même temps, les écrans de l'Esybox Max impliqué clignoteront également pour indiquer qu'ils sont sur le point d'être synchronisés.
- La première phase consiste à mettre à jour le logiciel des pompes trouvées.
- Une fois la mise à jour commencée, la pompe affichera la progression sur l'écran et redémarrera à la fin de la mise à jour. Sur l'APP, un symbole avec une coche verte confirmera l'opération. Dans le cas contraire, vous pouvez répéter l'opération avec le symbole

approprié 

- La deuxième phase de DSync est responsable de l'alignement des paramètres relatifs à la localisation de l'utilisateur (langue, unité de mesure) et des éventuelles configurations Wi-Fi et informations relatives au service cloud DConnect. Un symbole avec un nuage vert confirmera l'opération.

### 13. ENTRETIEN



Avant d'entamer la moindre intervention sur le système, débrancher l'alimentation électrique.

Le système ne nécessite aucune opération d'entretien ordinaire.

Toutefois, nous reportons ici les instructions nécessaires aux opérations d'entretien extraordinaire qui pourraient s'avérer nécessaires dans certains cas (par ex. la vidange du système avant une période d'inactivité prolongée).

#### 13.1 Outil accessoire

DAB fournit à l'appui du produit un outil accessoire (clé) utile pour effectuer les opérations sur le système prévues lors de l'installation et les éventuelles opérations de maintenance extraordinaire. (Fig.17)

L'outil accessoire est utilisé pour : l'ouverture et la fermeture du Dock, l'enlèvement du clapet anti-retour, la manipulation des bouchons. Il est logé derrière le vase d'expansion. (Fig.6)



Si la clé est perdue ou endommagée, la même opération peut être effectuée avec une clé à douille de 10 mm (13/32 pouces). La seule opération pour laquelle l'outil peut être remplacé est celle relative à l'ouverture et à la fermeture du Dock. Au lieu de cela, vous avez besoin d'un tournevis pour les bouchons et d'une pince pour l'extraction du clapet anti-retour.

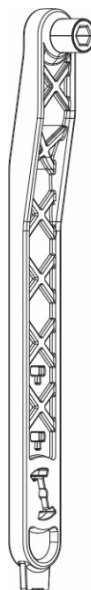


Figure 17

#### 13.2 Vidange du système

Pour vidanger l'eau présente dans le système, procéder comme suit:

1. déconnectez l'alimentation électrique ;
2. ouvrez le robinet de refoulement le plus proche du système afin d'éliminer la pression du système et de le vider autant que possible ;
3. s'il y a une vanne d'arrêt immédiatement en aval du système (il est toujours recommandé de l'avoir), fermez-la pour ne pas laisser la quantité d'eau s'écouler dans le système entre le système et le premier robinet ouvert ;
4. interrompez le conduit d'aspiration au point le plus proche du système (il est toujours recommandé d'avoir une vanne d'arrêt immédiatement en amont du système) afin de ne pas vidanger tout le système d'aspiration ;
5. retirez les deux bouchons de vidange du dock et vidangez l'eau à l'intérieur des deux (environ 11 litres) ; Fig. 18

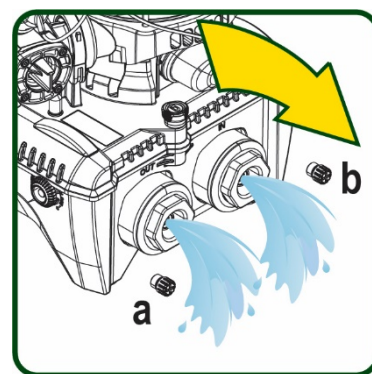


Figure 18



Bien qu'étant essentiellement déchargé, le système ne parvient pas à vidanger la totalité d'eau qu'il contient. Lors de la manipulation du système suite à la vidange, il est probable que de petites quantités d'eau s'écoulent du système lui-même.

#### 13.3 Clapet de non-retour

Le système comprend un clapet de non-retour intégré nécessaire à son bon fonctionnement. La présence de corps solides ou de sable dans l'eau pourrait provoquer le dysfonctionnement du clapet et donc du système.

Bien qu'il soit recommandé d'utiliser de l'eau claire et de prévoir éventuellement des filtres à l'entrée, en cas de fonctionnement anormal du clapet de non-retour, séparer celui-ci du système, le nettoyer et/ou le remplacer en procédant comme suit. Voir fig. 19 :

1. déconnectez l'alimentation électrique ;
2. vidangez le système ;
- 3a. retirez les quatre vis ;
- 3b. à l'aide de l'outil accessoire (ou avec une pince), retirez le bouchon ;
- 3c. extrayez la vanne
- 3d. nettoyez la vanne sous l'eau courante, assurez-vous qu'elle n'est pas endommagée et remplacez-la si nécessaire ;

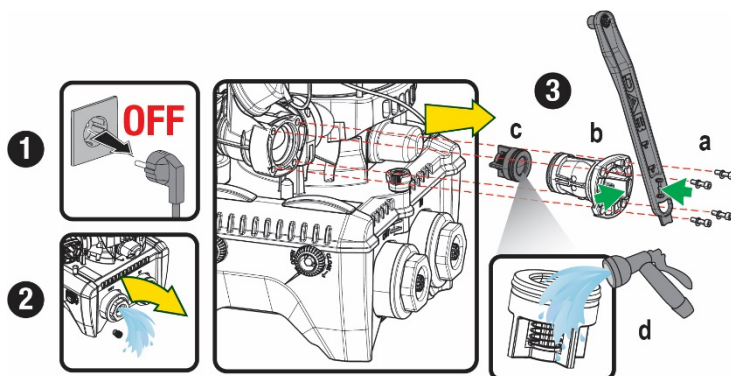


Figure 19



Si un ou plusieurs joint(s) torique(s) est/sont perdu(s) et/ou endommagé(s) durant les opérations d'entretien du clapet, le(s) remplacer. Dans le cas contraire, le système ne peut pas fonctionner correctement.

### 13.4 Arbre moteur

Ile contrôle électronique du système assure des démarrages sans à-coups afin d'éviter les sollicitations excessives des organes mécaniques et donc de prolonger la durée de vie du produit. Dans certains cas exceptionnels cette caractéristique pourrait provoquer des problèmes lors du démarrage de l'électropompe : après une période d'inactivité ou la vidange du système, les sels dissous dans l'eau pourraient s'être déposés et avoir formé des calcifications entre la partie tournante (l'arbre moteur) et la partie fixe de l'électropompe, augmentant ainsi la résistance au démarrage. Dans ce cas, il peut suffire d'aider manuellement l'arbre moteur à se détacher des calcifications. Cette opération est possible car l'accès est garanti depuis l'extérieur de l'arbre moteur et une rainure d'entraînement est prévue à l'extrémité de l'arbre. Procéder comme suit :

1. Déconnectez l'alimentation électrique.
2. Retirez le boulon à œil de levage à l'intérieur du compartiment supérieur en le dévissant (Fig. 20). Pendant l'opération, veillez à ne pas laisser pénétrer des impuretés (liquides ou solides) dans le moteur.
3. À l'aide d'un tournevis plat, actionnez l'arbre moteur en l'amenant en rotation à travers le rail qui reste visible sur sa face supérieure. Le sens de rotation n'est pas important, vérifiez simplement qu'il peut tourner librement.
4. Revissez le boulon à œil en prenant soin de ne pas avoir retiré ou endommagé le joint torique pendant l'opération 2.

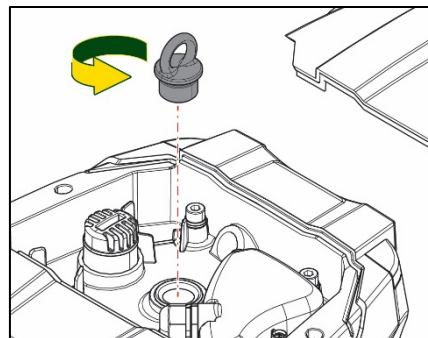


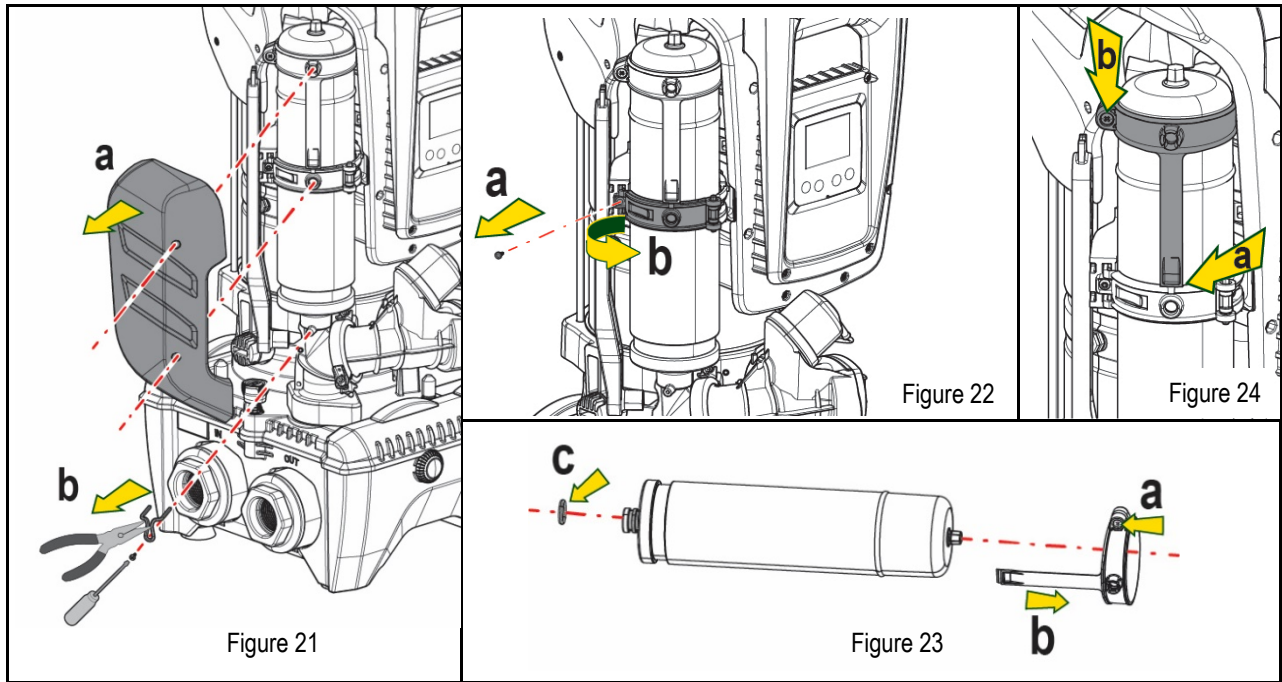
Figure 20

### 13.5 Vase d'expansion

Voir le paragraphe 1.4 pour les opérations de contrôle et de réglage de la pression d'air dans le vase d'expansion.

Pour le remplacer en cas d'endommagement, suivez les étapes ci-dessous :

1. Déconnectez l'alimentation électrique.
2. Vidangez la section du système sur laquelle le réservoir est monté (enlevez la pression du système, fermez la vanne la plus proche de la pompe, sinon tout le système de refoulement se vidangera, ouvrez le bouchon de vidange du collecteur de refoulement de la pompe - Fig. 18a -, facilitez l'évacuation de l'eau en desserrant le bouchon de remplissage dans le compartiment technique afin de laisser entrer l'air)
3. Retirez le boîtier (couvercle du vase) simplement en le tirant, celui-ci est fixé par un double accouplement cylindrique à encliquetage (Fig.21a) ;
4. Retirez la vis de fixation avec un tournevis et retirez la fourche en métal à l'aide d'une pince (Fig. 21b).
5. Retirez la vis de fixation (Fig.22a) avec un tournevis Torx et ouvrez le collier de retenue (Fig.22b, deux mousquetons et laissez-le tourner sur ses charnières).
6. Tirez le vase d'expansion vers le haut jusqu'à ce que le joint torique se dégage de son siège sur la courbe de refoulement. Attention, le joint torique fera une certaine résistance. À ce stade, le vase d'expansion est libre dans la main de l'opérateur.
7. Desserrez la vis (Fig. 23a) jusqu'à ce que l'anneau du vase d'expansion soit neutre.
8. Enlevez l'anneau du vase d'expansion (Fig.23b).
9. Vérifiez le joint torique (Fig. 23c) et remplacez-le s'il est endommagé (à moins qu'il ne soit pas fourni déjà monté sur la pièce de rechange DAB, auquel cas il peut être mis au rebut avec le récipient à remplacer).



10. Montez le nouveau vase et fixez-le en effectuant inversement les opérations 6,4,5.
11. Montez l'anneau sur le vase en insérant la bande de positionnement dans son logement sur le collier de retenue jusqu'à la butée de la dent (Fig.24a)
12. Serrez la vis (Fig. 24b) pour empêcher la rotation de la bague et fixez sa position.
13. Accrochez le boîtier en le faisant s'enclencher dans son logement en effectuant l'opération 3 inversement.

## 14. RÉOLUTION DES PROBLÈMES



Avant de commencer la recherche des pannes, couper l'alimentation électrique de la pompe (extraire la fiche de la prise).

ANOMALIE	LED	CAUSES PROBABLE	REMÈDES
La pompe ne démarre pas.	Rouge : éteint Blanc : éteint Bleu : éteint	Aucune alimentation électrique	Vérifier la présence de tension dans la prise et réintroduire la fiche.
La pompe ne démarre pas.	Rouge : allumé Blanc : allumé Bleu : éteint	Arbre bloqué.	Voir le paragraphe Entretien de l'arbre moteur.
La pompe ne démarre pas.	Rouge : éteint Blanc : allumé Bleu : éteint	Utilisateur à un niveau supérieur par rapport à celui qui correspond à la pression de redémarrage du système (par. 3.2).	Augmenter la valeur de la pression de redémarrage du système en augmentant SP ou en diminuant RP.
La pompe ne s'arrête pas.	Rouge : éteint Blanc : allumé Bleu : éteint	1. Fuite de l'installation. 2. Rotor ou partie hydraulique obstruée. 3. Pénétration d'air dans le conduit d'aspiration. 4. Capteur de flux défectueux	1. Vérifier l'installation, localiser la fuite et l'éliminer. 2. Démontez le système et éliminez les occlusions (service d'assistance). 3. Examiner le conduit d'aspiration, identifier la cause de la pénétration d'air et l'éliminer. 4. Contacter le centre d'assistance
Distribution insuffisante	Rouge : éteint Blanc : allumé Bleu : éteint	1. Profondeur d'aspiration excessive. 2. Conduit d'aspiration obstrué ou de diamètre insuffisant.	1. Lorsque la profondeur d'aspiration augmente, les prestations hydrauliques du produit diminuent (parag. Description de l'électropompe). Vérifier si la profondeur d'aspiration peut être réduite. Utiliser un tuyau d'aspiration de plus grand diamètre (dans tous les cas, jamais inférieur à 1"1/4 pour la pompe simple, des sections plus grandes pour les groupes).

FRANÇAIS

		3. Rotor ou partie hydraulique obstruée.	2. Examiner le conduit d'aspiration, identifier la cause de la partialisation (obstruction, courbe sèche, tronçon en contre-pente, etc.) 3. Démontez le système et éliminez les occlusions (service d'assistance).
La pompe démarre sans qu'un utilisateur ne le demande	Rouge : éteint Blanc : allumé Bleu : éteint	1. Fuite de l'installation. 2. Clapet de non-retour défectueux.	1. Vérifier l'installation, localiser la fuite et l'éliminer. 2. Effectuer les opérations d'entretien du clapet de non-retour comme décrit au paragraphe 12.3.
La pression de l'eau n'est pas immédiate lorsque l'utilisateur est ouvert	Rouge : éteint Blanc : allumé Bleu : éteint	Vase d'expansion déchargé (pression d'air insuffisante) ou rupture de la membrane.	Vérifier la pression de l'air à travers la vanne du logement technique. Si de l'eau s'écoule durant le contrôle, le vase est cassé : contacter le service d'assistance. Dans le cas contraire, rétablir la pression de l'air selon la formule (parag. 1.4).
Au moment de l'ouverture, le débit arrive à zéro avant que la pompe ne démarre.	Rouge : éteint Blanc : allumé Bleu : éteint	Pression de l'air dans le vase d'expansion supérieure à celle du démarrage du système.	Étalonner la pression du vase d'expansion ou configurer les paramètres SP et/ou RP de manière à correspondre à la formule (parag. 1.4).
L'écran affiche BL	Rouge : allumé Blanc : allumé Bleu : éteint	1. Manque d'eau. 2. Pompe non amorcée. 3. Le point de paramétrage ne peut pas être atteint avec la valeur de RM paramétrée.	1-2. Amorcer la pompe et vérifier que le conduit ne contient pas d'air. Vérifier que l'aspiration ou les filtres éventuels ne sont pas obstrués. 3. Régler une valeur de RM qui permette d'atteindre le point de paramétrage
L'écran affiche BP1	Rouge : allumé Blanc : allumé Bleu : éteint	1. Capteur de pression défectueux.	1. Contacter le centre d'assistance.
L'écran affiche OC	Rouge : allumé Blanc : allumé Bleu : éteint	1. Absorption excessive. 2. Pompe bloquée.	1. Fluide trop dense. Ne pas utiliser la pompe avec des fluides autres que de l'eau. 2. Contacter le centre d'assistance.
L'écran affiche PB	Rouge : allumé Blanc : allumé Bleu : éteint	1. Tension d'alimentation faible. 2. Chute de tension excessive sur la ligne.	1. Vérifier la présence de la bonne tension de ligne. 2. Vérifier la section des câbles d'alimentation.
L'écran affiche: Appuyer ^ pour propager cette config	Rouge : éteint Blanc : allumé Bleu : éteint	Les paramètres sensibles d'un ou plusieurs dispositifs ne sont pas alignés.	Appuyer sur la touche ^ du dispositif dont on sait que la configuration des paramètres est la plus récente et correcte.

Tableau 14 Résolution des problèmes

**DAB PUMPS LTD.**

6 Gilbert Court  
Newcomen Way  
Severalls Business Park  
Colchester  
Essex  
C04 9WN - UK  
salesuk@dwtgroup.com  
Tel. +44 0333 777 5010

**DAB PUMPS BV**

'tHofveld 6 C1  
1702 Groot Bijgaarden - Belgium  
info.belgium@dwtgroup.com  
Tel. +32 2 4668353

**DAB PUMPS INC.**

3226 Benchmark Drive  
Ladson, SC 29456 - USA  
info.usa@dwtgroup.com  
Tel. 1- 843-797-5002  
Fax 1-843-797-3366

**OOO DAB PUMPS**

Novgorodskaya str. 1, block G  
office 308, 127247, Moscow - Russia  
info.russia@dwtgroup.com  
Tel. +7 495 122 0035  
Fax +7 495 122 0036

**DAB PUMPS POLAND SP. z.o.o.**

Ul. Janka Muzykanta 60  
02-188 Warszawa - Poland  
polska@dabpumps.com.pl

**DAB PUMPS (QINGDAO) CO. LTD.**

No.40 Kaituo Road, Qingdao Economic &  
Technological Development Zone  
Qingdao City, Shandong Province - China  
PC: 266500  
sales.cn@dwtgroup.com  
Tel. +86 400 186 8280  
Fax +86 53286812210

**DAB PUMPS IBERICA S.L.**

Calle Verano 18-20-22  
28850 - Torrejón de Ardoz - Madrid  
Spain  
Info.spain@dwtgroup.com  
Tel. +34 91 6569545  
Fax: + 34 91 6569676

**DAB PUMPS B.V.**

Albert Einsteinweg, 4  
5151 DL Drunen - Nederland  
info.netherlands@dwtgroup.com  
Tel. +31 416 387280  
Fax +31 416 387299

**DAB PUMPS SOUTH AFRICA**

Twenty One industrial Estate,  
16 Purlin Street, Unit B, Warehouse 4  
Olifantsfontein - 1666 - South Africa  
info.sa@dwtgroup.com  
Tel. +27 12 361 3997

**DAB PUMPS GmbH**

Am Nordpark 3  
41069 Mönchengladbach, Germany  
info.germany@dwtgroup.com  
Tel. +49 2161 47 388 0  
Fax +49 2161 47 388 36

**DAB PUMPS HUNGARY KFT.**

H-8800  
Nagykanizsa, Buda Ernő u.5  
Hungary  
Tel. +36 93501700

**DAB PUMPS DE MÉXICO, S.A. DE C.V.**

Av Amsterdam 101 Local 4  
Col. Hipódromo Condesa,  
Del. Cuauhtémoc CP 06170  
Ciudad de México  
Tel. +52 55 6719 0493

**DAB PUMPS OCEANIA PTY LTD**

426 South Gippsland Hwy,  
Dandenong South VIC 3175 – Australia  
info.oceania@dwtgroup.com  
Tel. +61 1300 373 677

**DAB PUMPS S.p.A.**

Via M. Polo, 14 - 35035 Mestrino (PD) - Italy  
Tel. +39 049 5125000 - Fax +39 049 5125950  
www.dabpumps.com